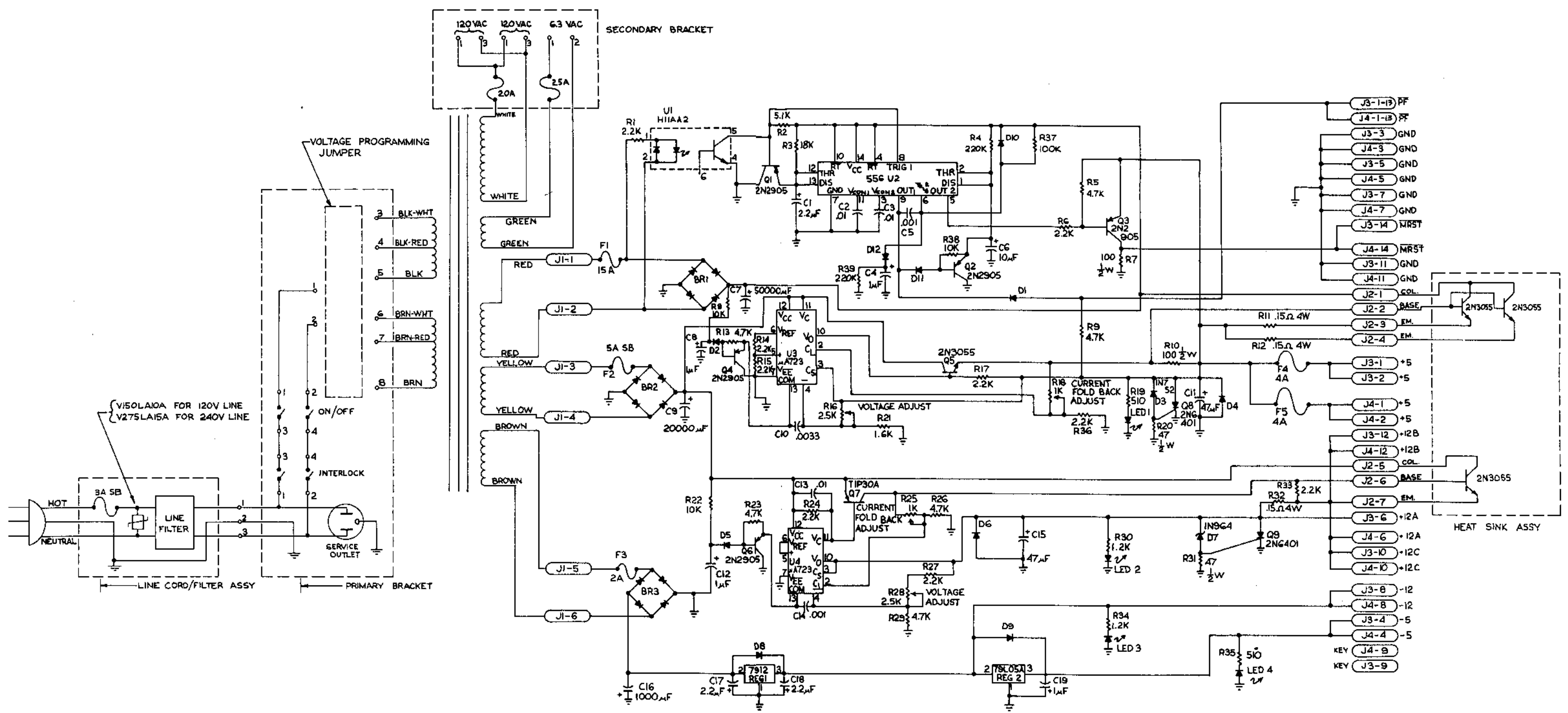
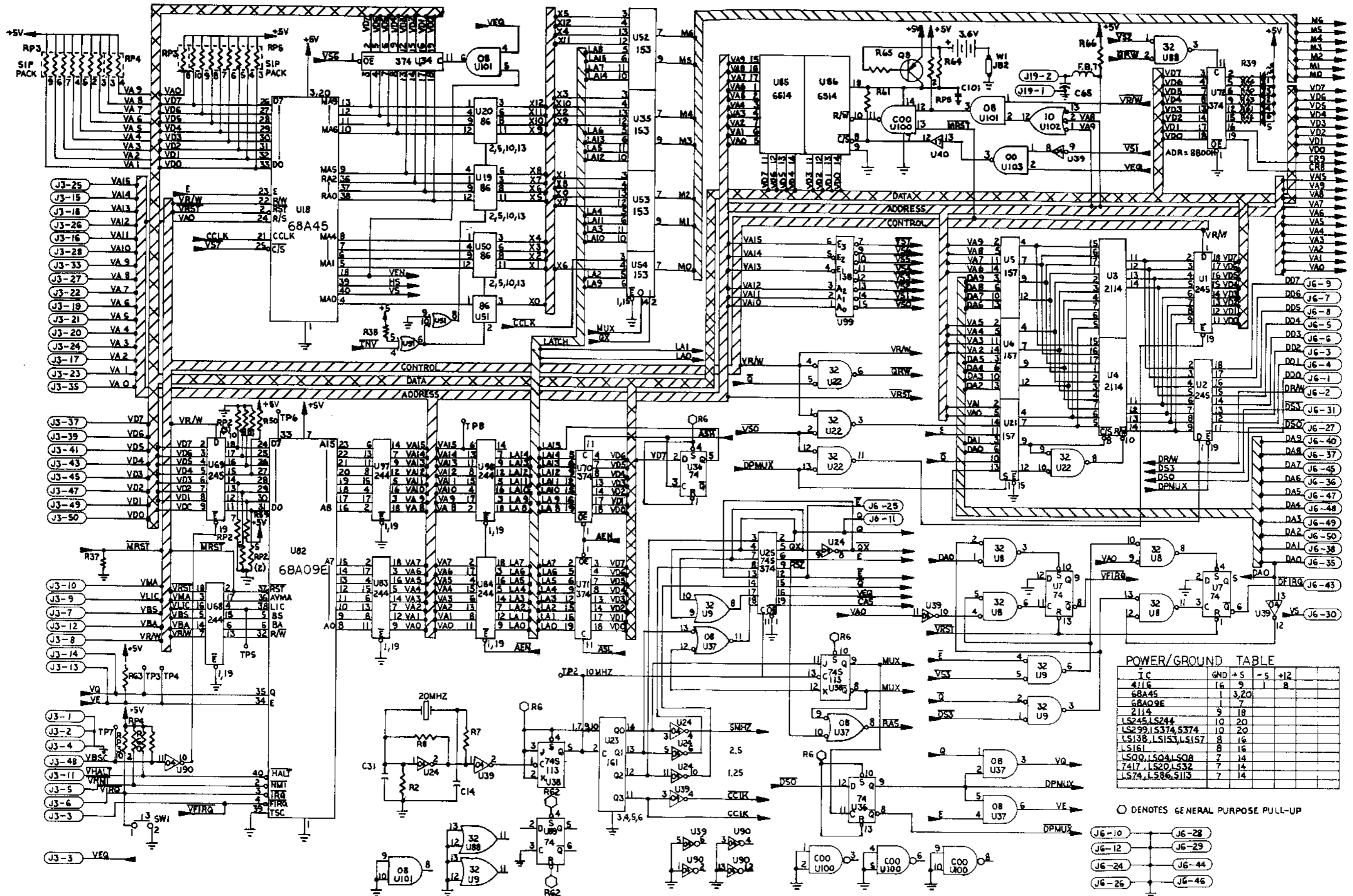


# POWER SUPPLY SCHEMATIC



# VIDEO PROCESSOR SCHEMATIC 1 OF 2

FIGURE 13



**POWER/GROUND TABLE**

IC	GND	+5	-5	+12
4116	16	9	1	8
68A45	1	3,20		
68A09E	1	7		
2114	9	18		
LS245,LS244	10	20		
LS299,LS374,LS374	10	20		
LS138,LS153,LS157	8	16		
LS161	8	16		
LS00,LS04,LS08	7	14		
7417,LS20,LS32	7	14		
LS74,LS86,LS13	7	14		

O DENOTES GENERAL PURPOSE PULL-UP

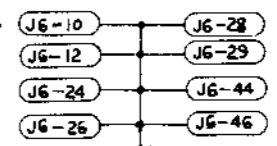
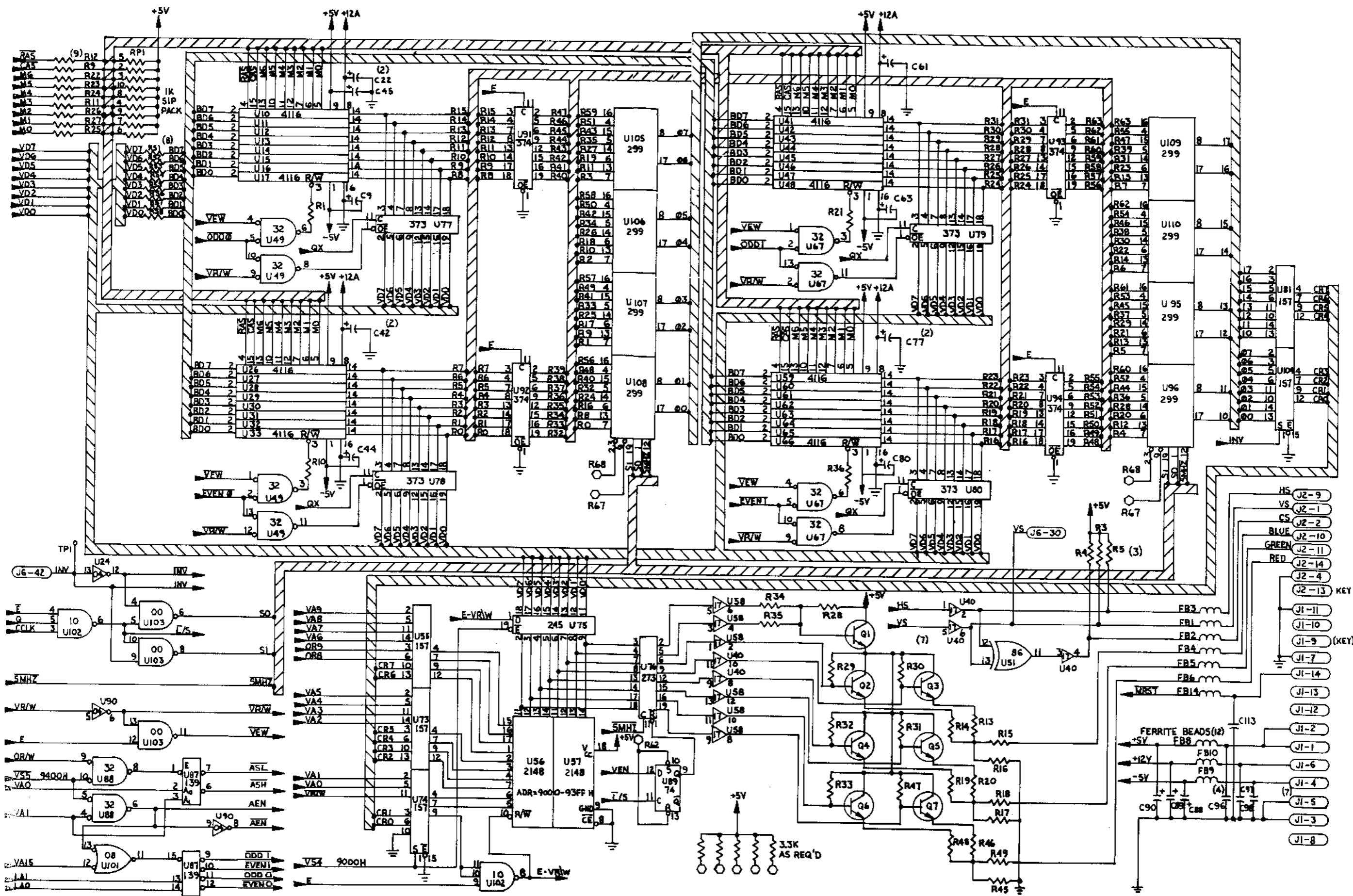
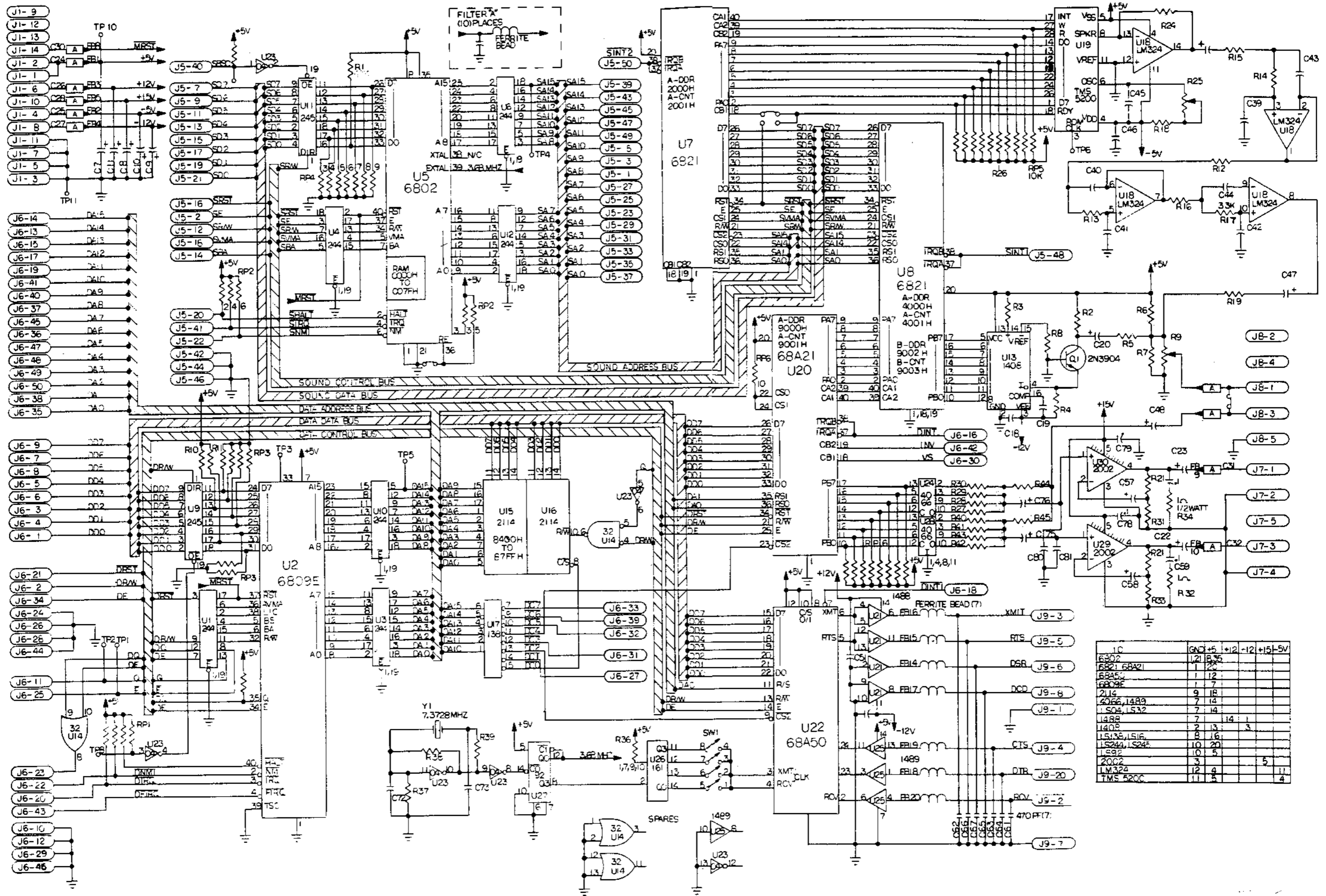


FIGURE 14



# DATA/SOUND PROCESSOR SCHEMATIC

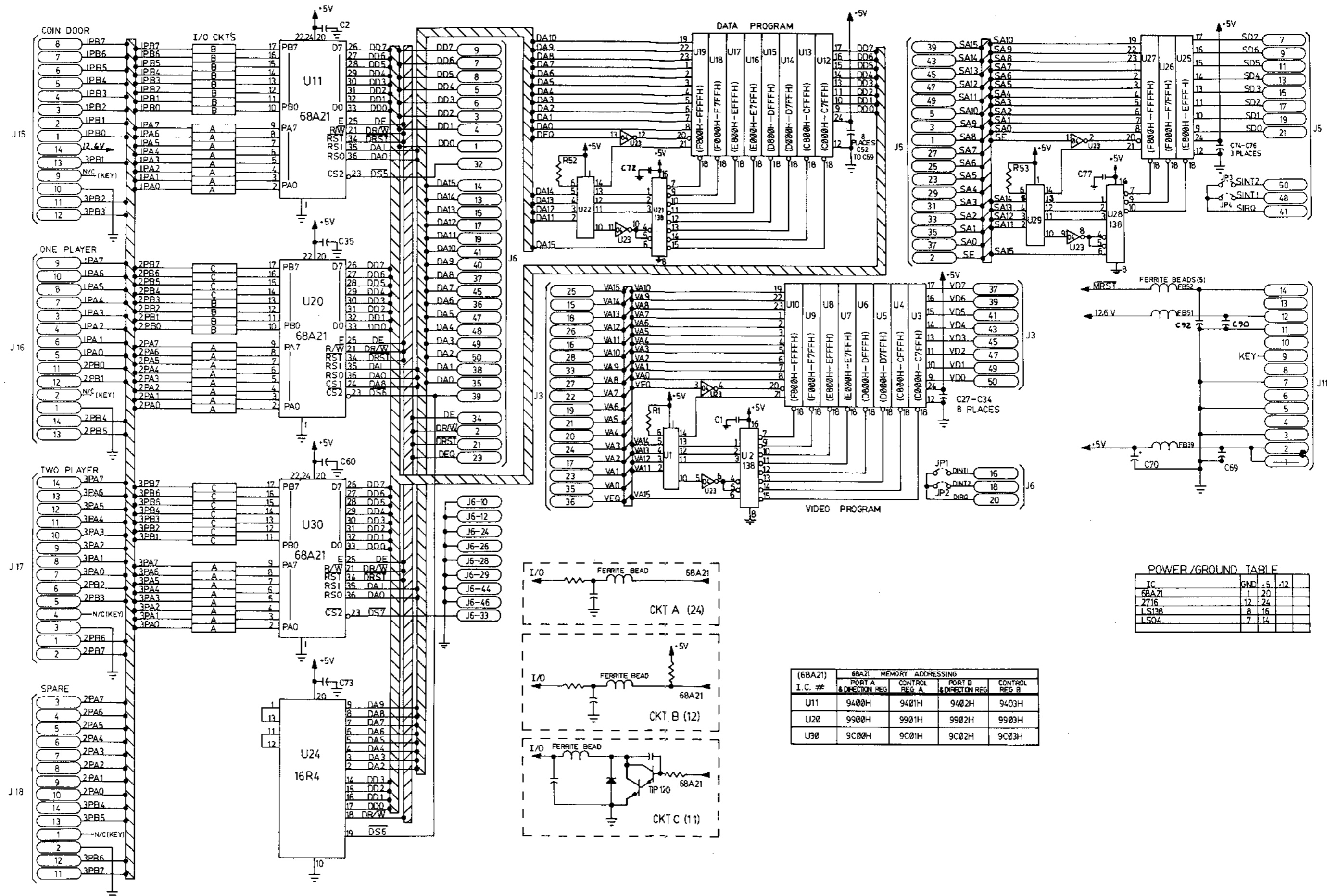
FIGURE 15



IC	QTY	REF
6802	1	U5
6821 68A21	2	U7, U8
68A50	1	U22
6809E	1	U2
2114	2	U15, U16
1408, 1489	7	U13, U14, U23, U24, U25, U26, U27, U28
1502, 1532	7	U17, U18, U19, U20, U21, U29, U30
1489	7	U13, U14, U23, U24, U25, U26, U27, U28
1408	2	U13, U14
1513E, 1516	8	U17, U18, U19, U20, U21, U29, U30
1524A, 1524E	10	U17, U18, U19, U20, U21, U29, U30
1592	10	U17, U18, U19, U20, U21, U29, U30
2002	3	U29, U30, U31
LM324	12	U17, U18, U19, U20, U21, U29, U30
TMS 520C	11	U17, U18, U19, U20, U21, U29, U30

# ROM I/O SCHEMATIC

FIGURE 16



I.C. #	68A21 MEMORY ADDRESSING			
	PORT A & DIRECTION REG	CONTROL REG. A	PORT B & DIRECTION REG	CONTROL REG. B
U11	9400H	9401H	9402H	9403H
U20	9900H	9901H	9902H	9903H
U30	9C00H	9C01H	9C02H	9C03H

IC	GND	+5	+12
68A21	1	20	
2716	12	24	
LS138	8	16	
LS04	7	14	