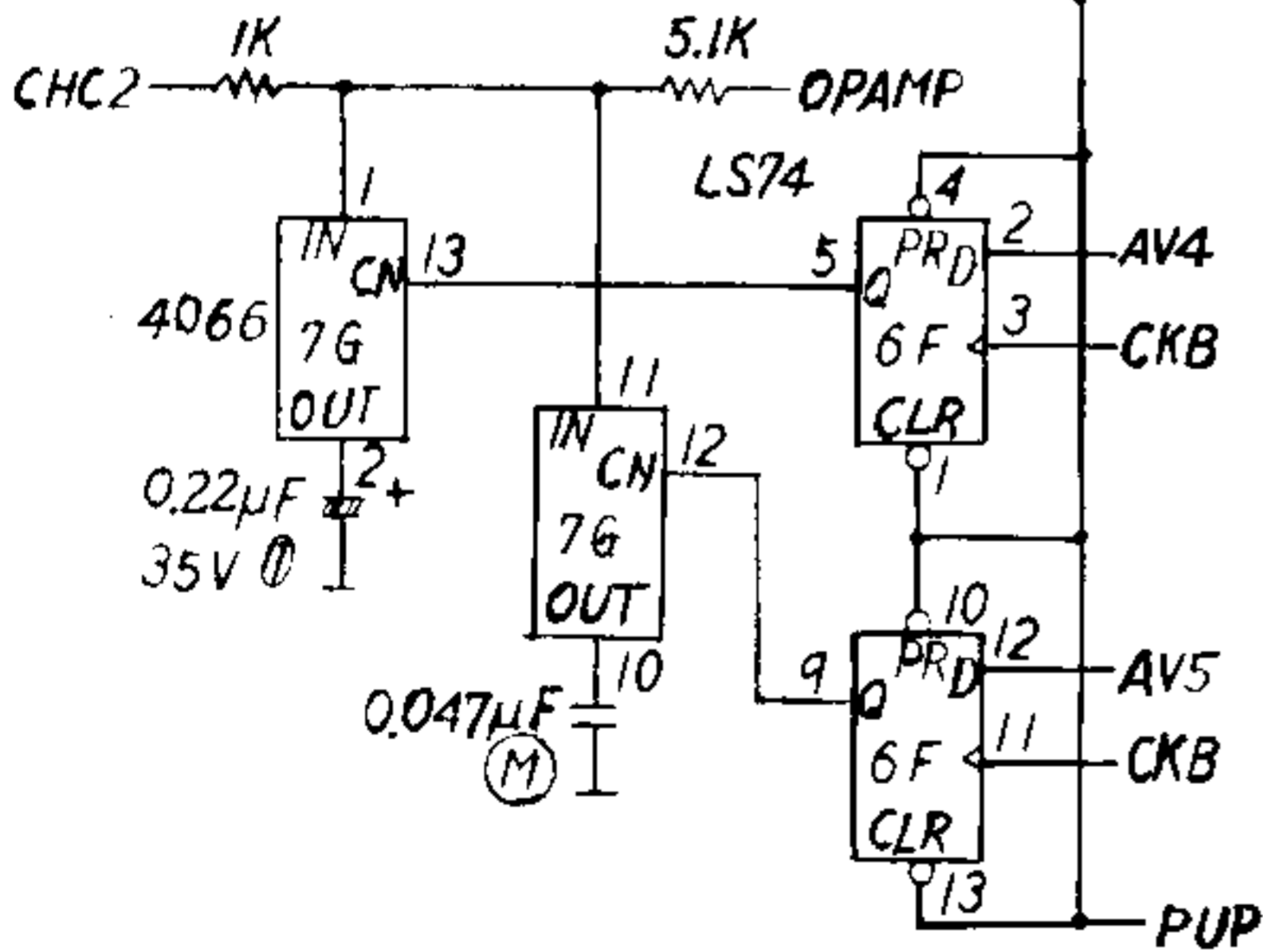
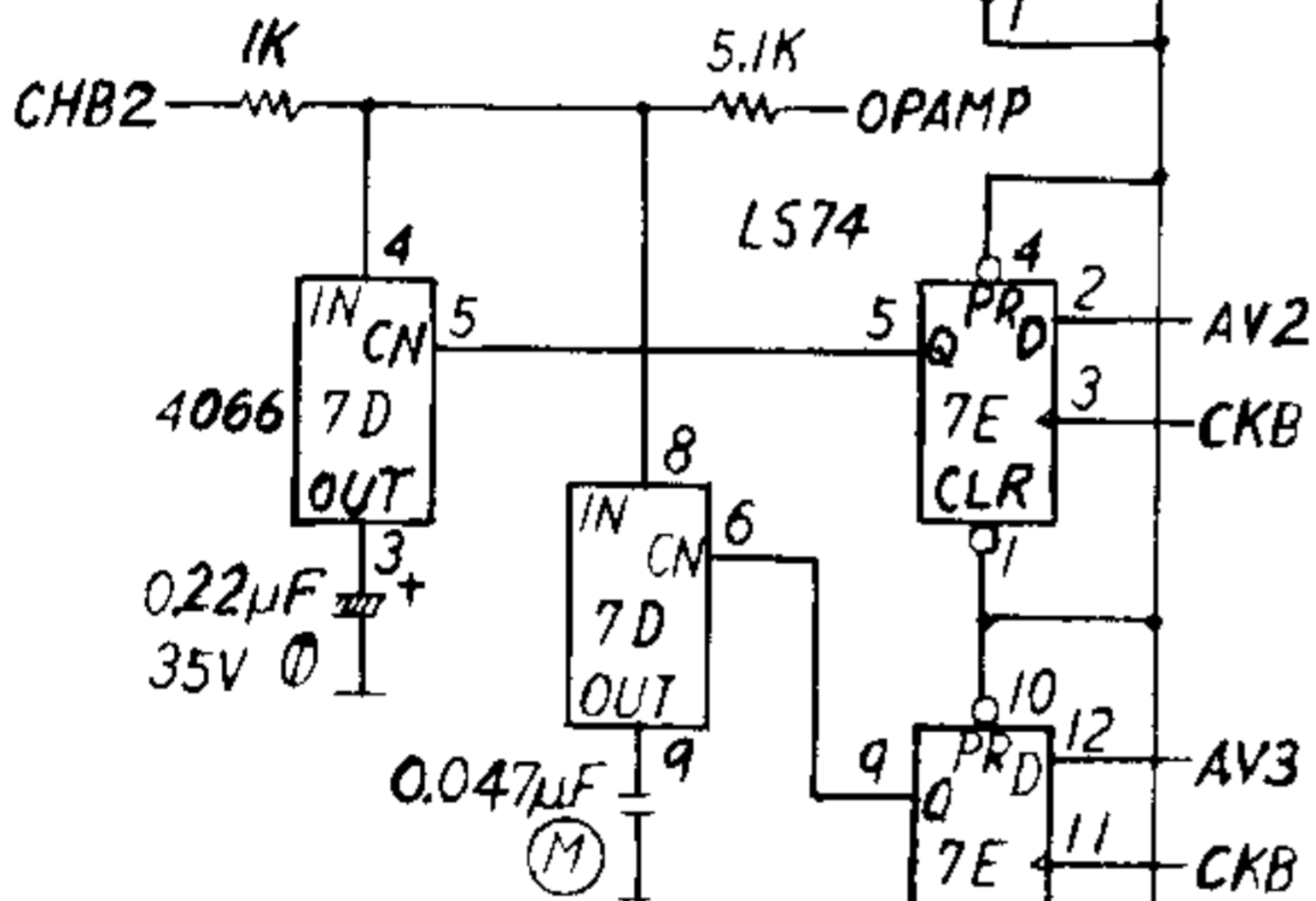
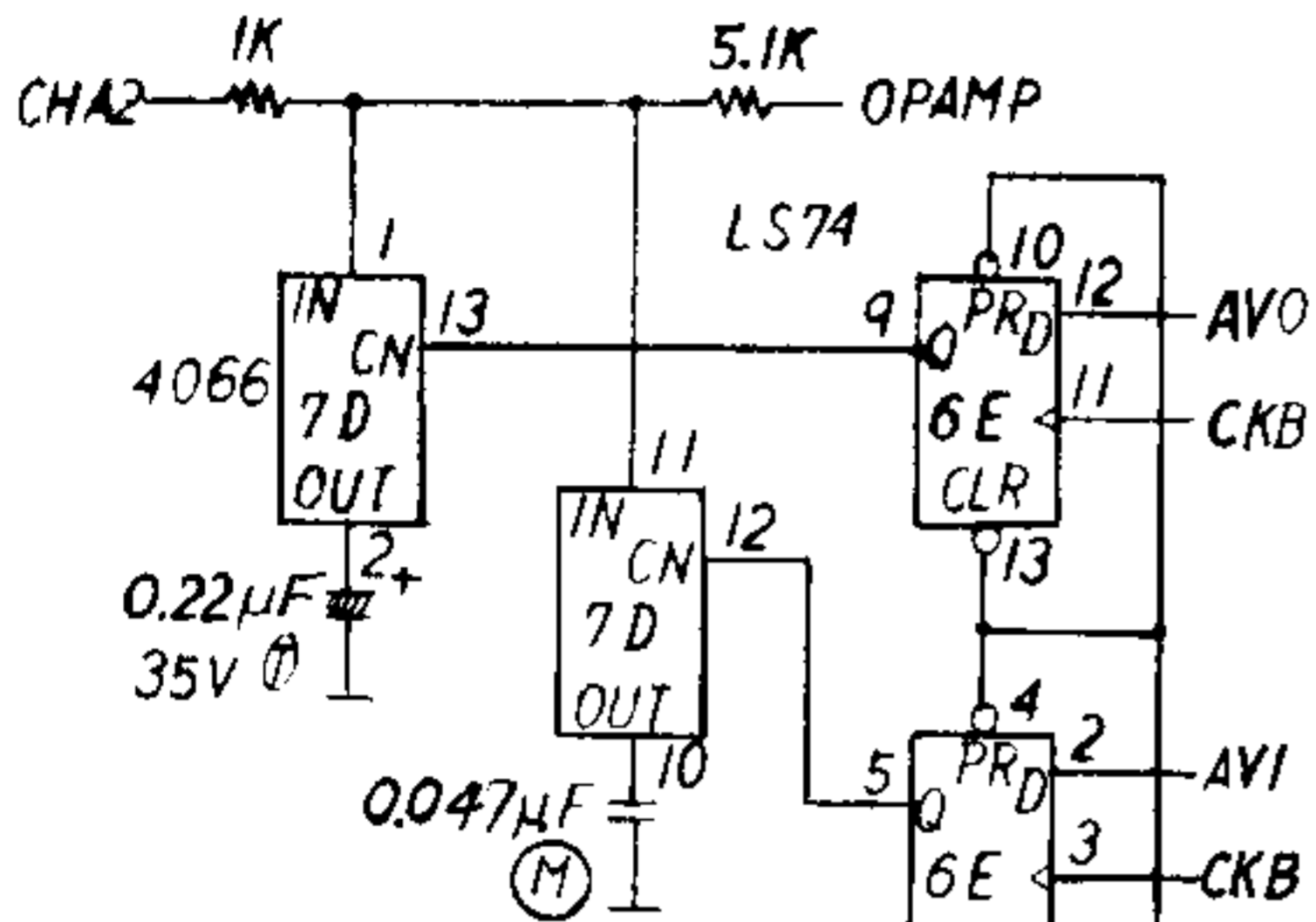
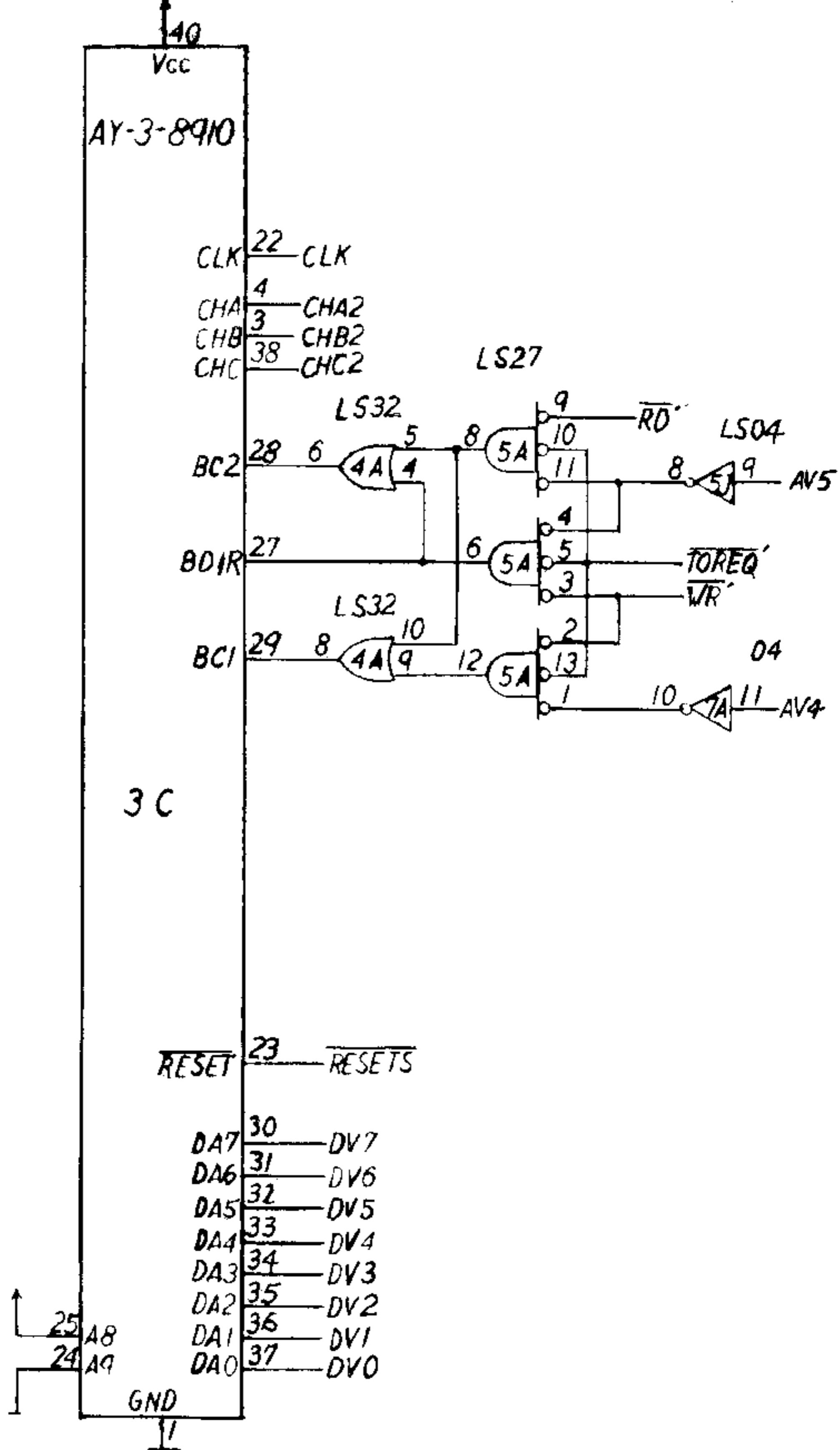
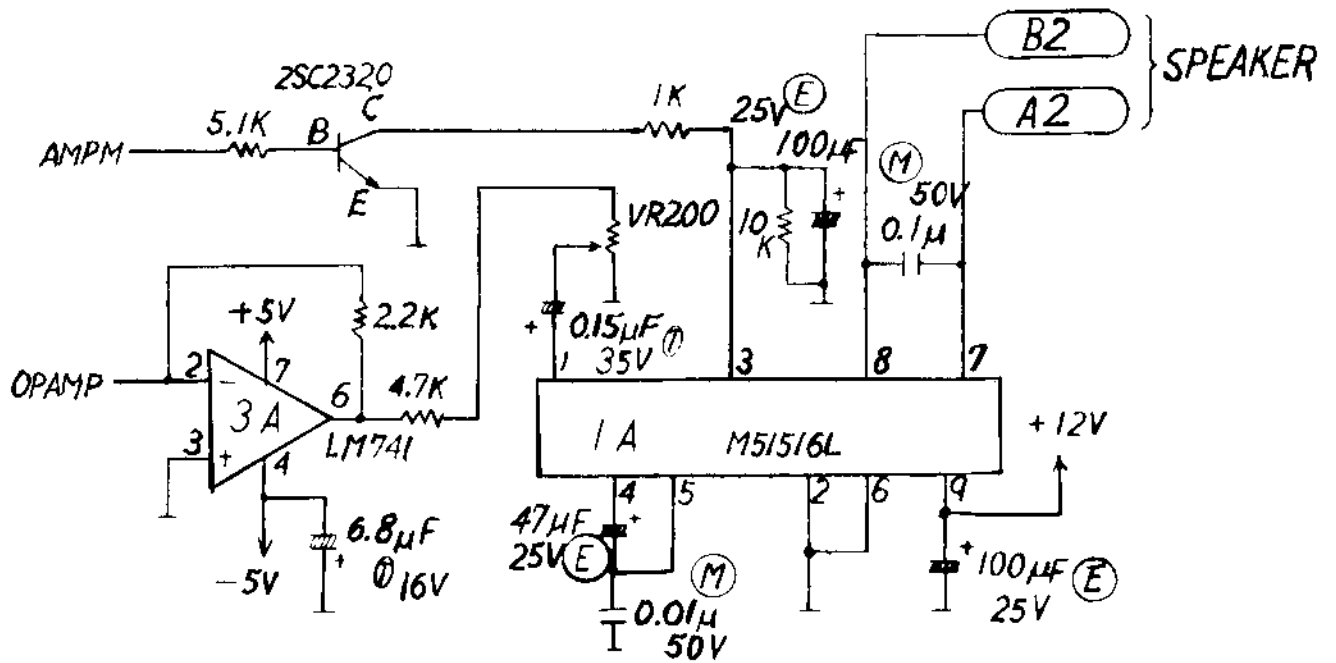


— NOTES —
 + ; Vcc +5V
 L ; GND 0V

SCRAMBLE
 33A-106 (L-1200-2)
STERN ELECTRONICS, INC.
 1725 Diversey Parkway, Chicago, Illinois 60614
 (312) 935-4600
 Toll Free Service Assistance (800) 621-6424







— NOTES —

ⓐ; TANTALUM ELECTROLYTIC CONDENSER.

Ⓜ; MYLAR CAPACITOR.

ⓔ; ELECTROLYTIC CONDENSER.

NO MARK; CERAMIC CONDENSER.

ⓑ; 36 PIN CONNECTOR.

B is parts side.

ⓑ; 50 PIN CONNECTOR.

↑; VCC, +5V

⊥; GND, 0V

SCRAMBLE
33A-105 (L-1200-1)

