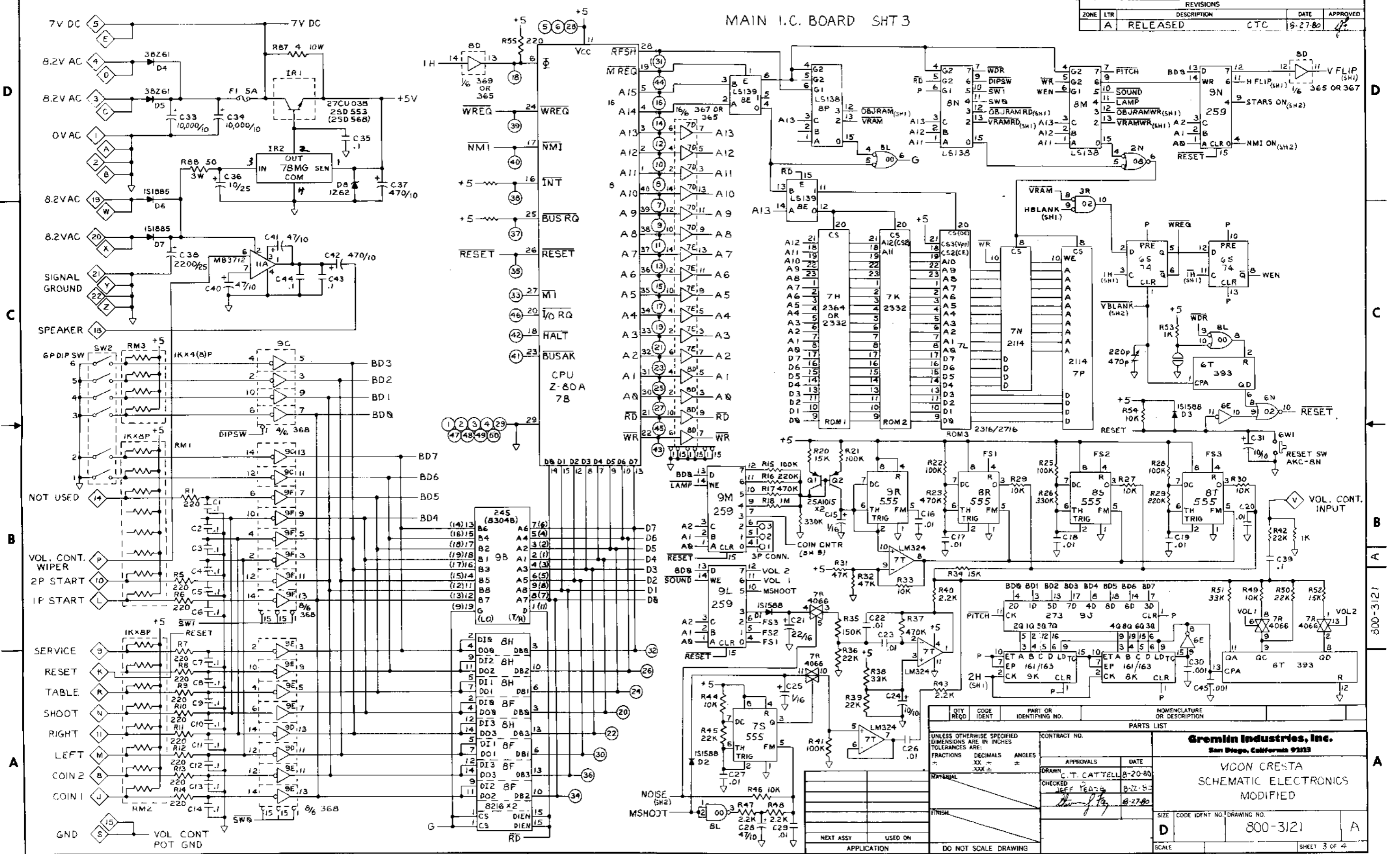


REVISIONS				
ZONE	LTR	DESCRIPTION	DATE	APPROVED
A		RELEASED	CTC 9-27-80	

MAIN I.C. BOARD SHT 3



QTY REQD		CODE IDENT	PART OR IDENTIFYING NO.	NOMENCLATURE OR DESCRIPTION
PARTS LIST				
UNLESS OTHERWISE SPECIFIED DIMENSIONS ARE IN INCHES TOLERANCES ARE:				
FRACTIONS	DECIMALS	ANGLES		
±	±	±		
CONTRACT NO.			APPROVALS	
DRAWN C.T. CATELL 8-20-80			DATE	
CHECKED JEFF PEARCE 8-27-80			DATE	
MATERIAL				
FINISH				
NEXT ASSY USED ON				
APPLICATION				
DO NOT SCALE DRAWING				

Gremlin Industries, Inc.
San Diego, California 92123

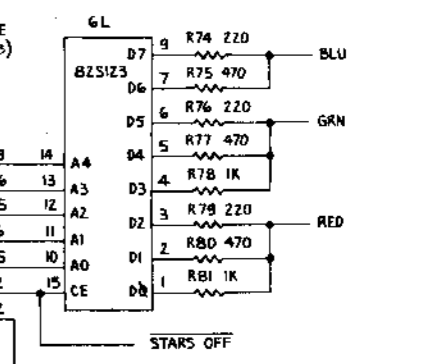
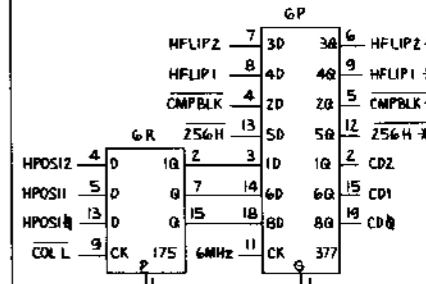
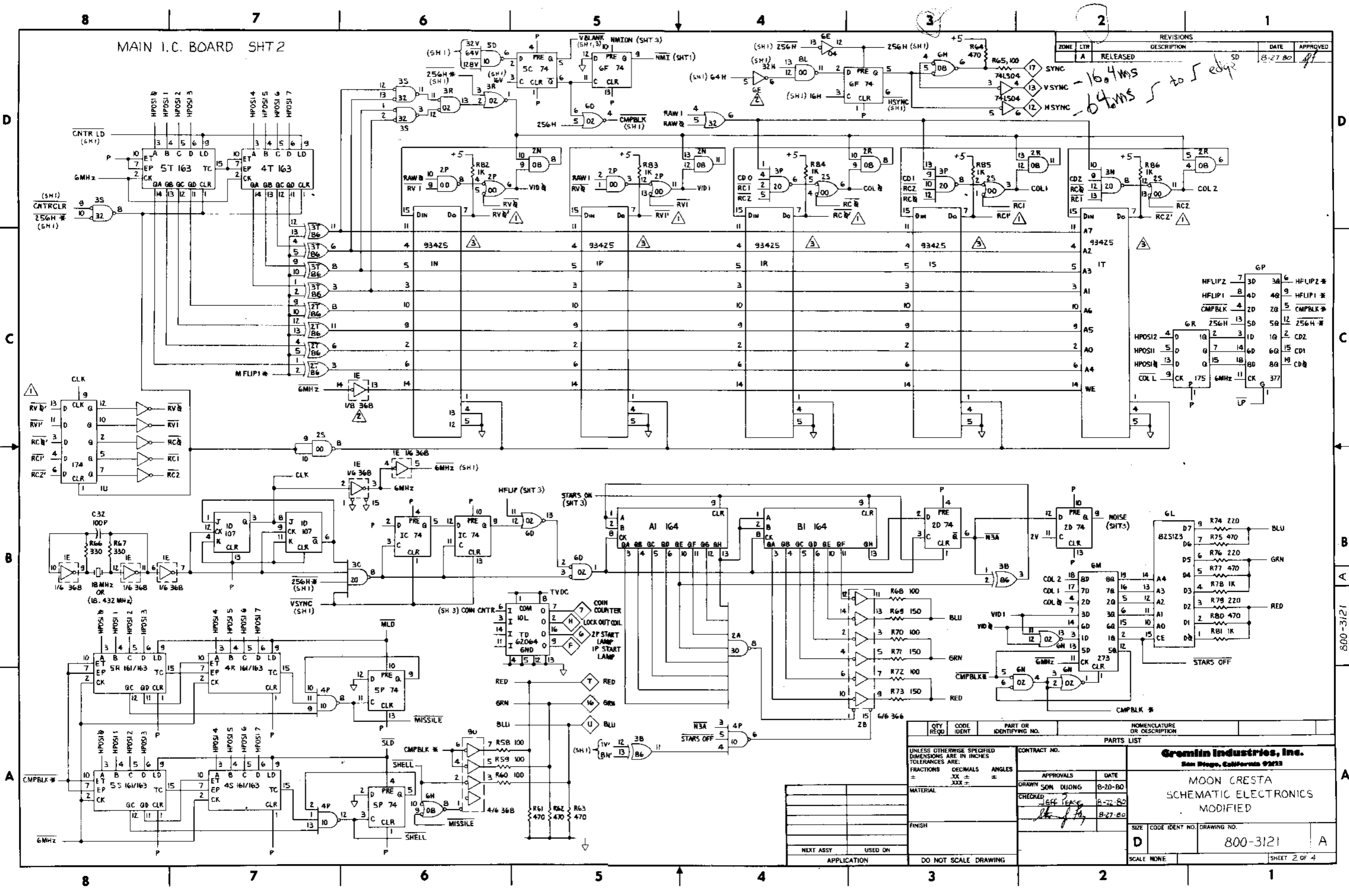
MOON CRESTA
SCHEMATIC ELECTRONICS
MODIFIED

SIZE CODE IDENT NO. DRAWING NO.
D 800-3121 A

SCALE SHEET 3 OF 4

MAIN I.C. BOARD SHT 2

REVISIONS		DATE	APPROVED
ZONE	DESCRIPTION		
A	RELEASED	8-27-80	[Signature]



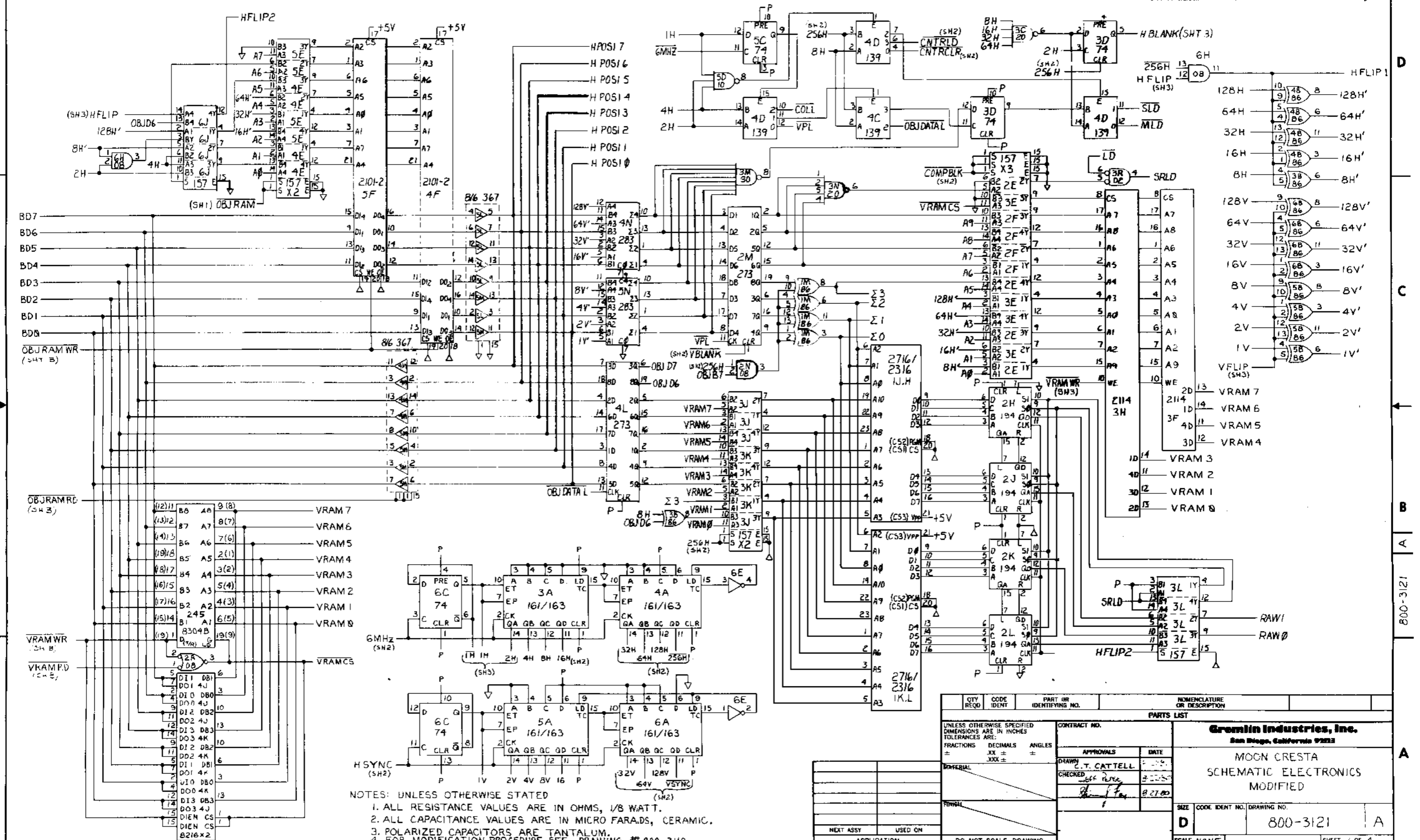
QTY	CODE	PART OR IDENTIFYING NO.	NOMENCLATURE OR DESCRIPTION

UNLESS OTHERWISE SPECIFIED DIMENSIONS ARE IN INCHES TOLERANCES ARE:		CONTRACT NO.	
FRACTIONS	DECIMALS	ANGLES	
±	±	±	
MATERIAL		APPROVALS	
		DRAWN SOM DUONG 8-20-80	
		CHECKED EFF LEASE 8-27-80	
		[Signature]	
FINISH		DATE 8-27-80	
		SIZE CODE IDENT NO. DRAWING NO.	
D		800-3121 A	
SCALE NONE		SHEET 2 OF 4	

800-3121

MAIN I.C. BOARD SHT 1

REVISIONS				
ZONE	LTR	DESCRIPTION	DATE	APPROVED
A		RELEASED	CTC	8-27-80



- NOTES: UNLESS OTHERWISE STATED
1. ALL RESISTANCE VALUES ARE IN OHMS, 1/8 WATT.
 2. ALL CAPACITANCE VALUES ARE IN MICRO FARADS, CERAMIC.
 3. POLARIZED CAPACITORS ARE TANTALUM.
 4. FOR MODIFICATION PROCEDURE SEE DRAWING # 800-3110.

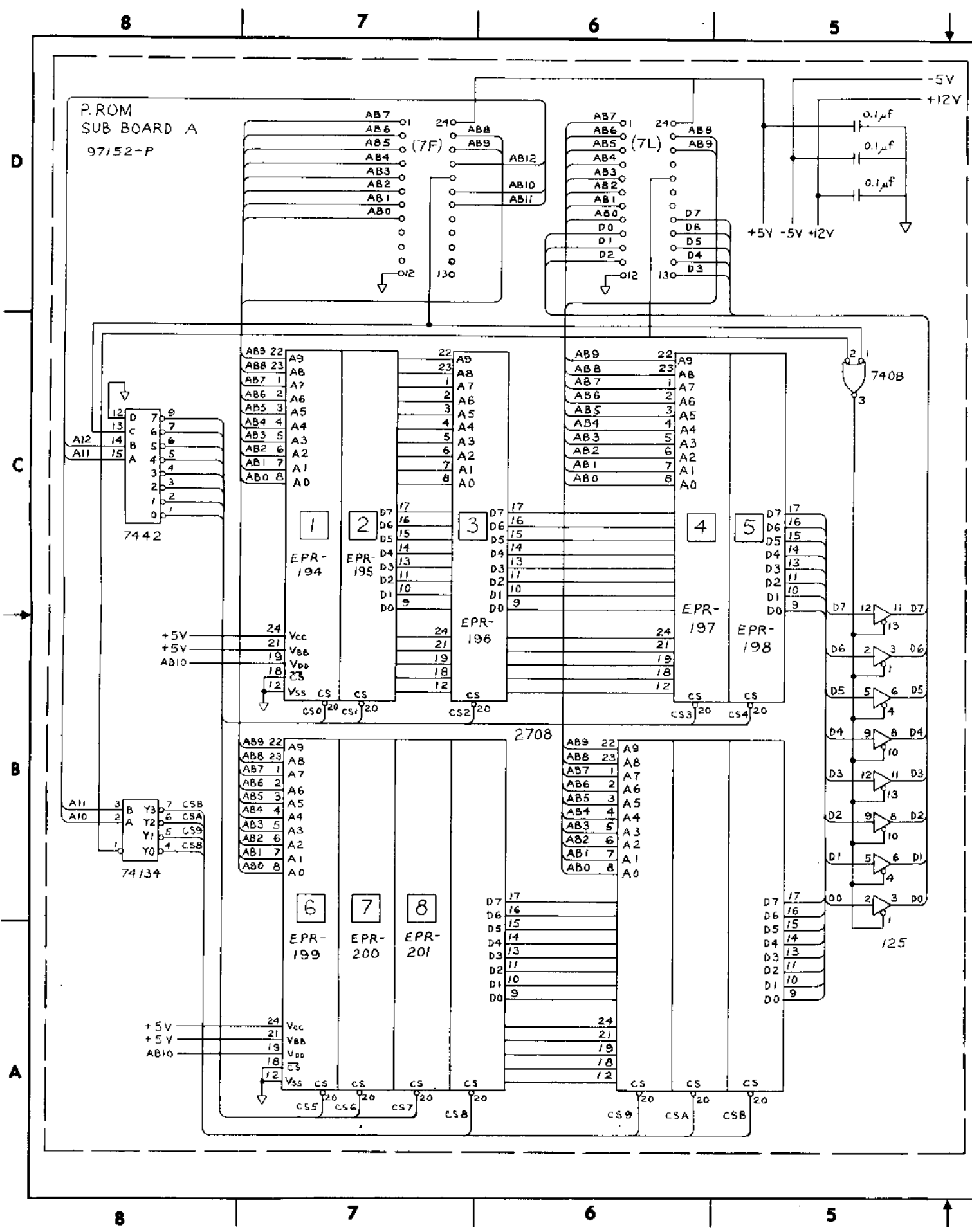
QTY REQD	CODE IDENT	PART OR IDENTIFYING NO.	NOMENCLATURE OR DESCRIPTION
PARTS LIST			
UNLESS OTHERWISE SPECIFIED DIMENSIONS ARE IN INCHES TOLERANCES ARE:		CONTRACT NO.	
FRACTIONS	DECIMALS	ANGLES	
±	±	±	
APPROVALS		DATE	
DRAWN: C. T. CATELL		8-27-80	
CHECKED: [Signature]		8-27-80	
MATERIAL		FINISH	
NEXT ASSY		USED ON	
APPLICATION		DO NOT SCALE DRAWING	
SIZE	CODE IDENT NO.	DRAWING NO.	
D		800-3121 A	
SCALE NONE		SHEET OF 4	

Gremlin Industries, Inc.
San Diego, California 92122

MOON CRESTA
SCHEMATIC ELECTRONICS
MODIFIED

800-3121

A



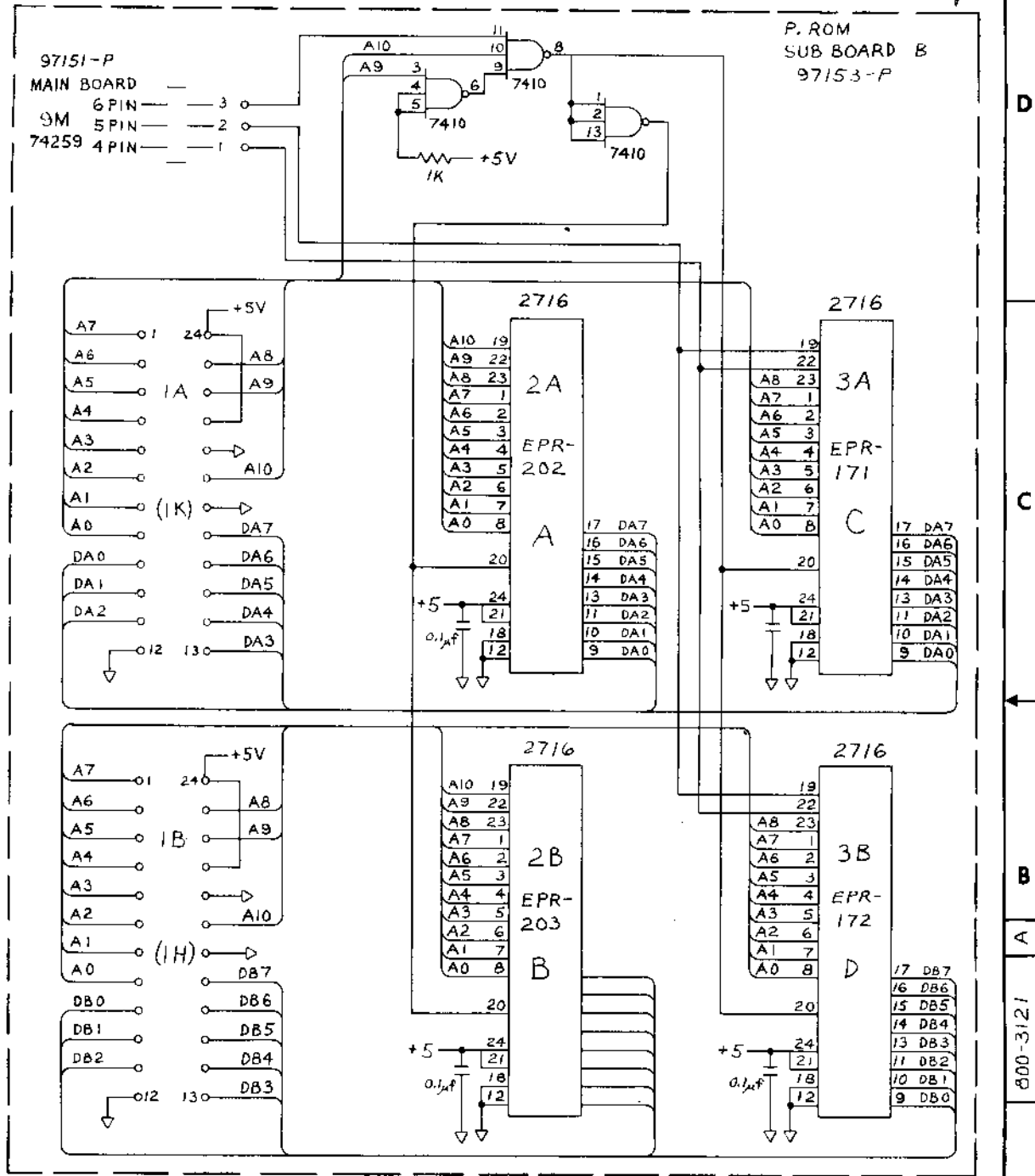
4

3

2

1

REVISIONS				
ZONE	LTR	DESCRIPTION	DATE	APPROVED
A		RELEASED	CTC 8-27-80	<i>[Signature]</i>



D
C
B
A
800-3121

QTY REQD	CODE IDENT	PART OR IDENTIFYING NO.	NOMENCLATURE OR DESCRIPTION
PARTS LIST			
UNLESS OTHERWISE SPECIFIED DIMENSIONS ARE IN INCHES TOLERANCES ARE:		CONTRACT NO.	
FRACTIONS ±	DECIMALS .XX ±	ANGLES ±	Gremlin Industries, Inc. San Diego, California 92123 MOON CRESTA SCHEMATIC ELECTRONICS MODIFIED
APPROVALS			
MATERIAL		DRAWN C. T. CATTELL 8/26/80	SIZE CODE IDENT NO. DRAWING NO. D 800-3121 A
FINISH		CHECKED <i>[Signature]</i> 8-27-80	
NEXT ASSY	USED ON	APPLICATION	SCALE SHEET 4 OF 4

4

3

2

1