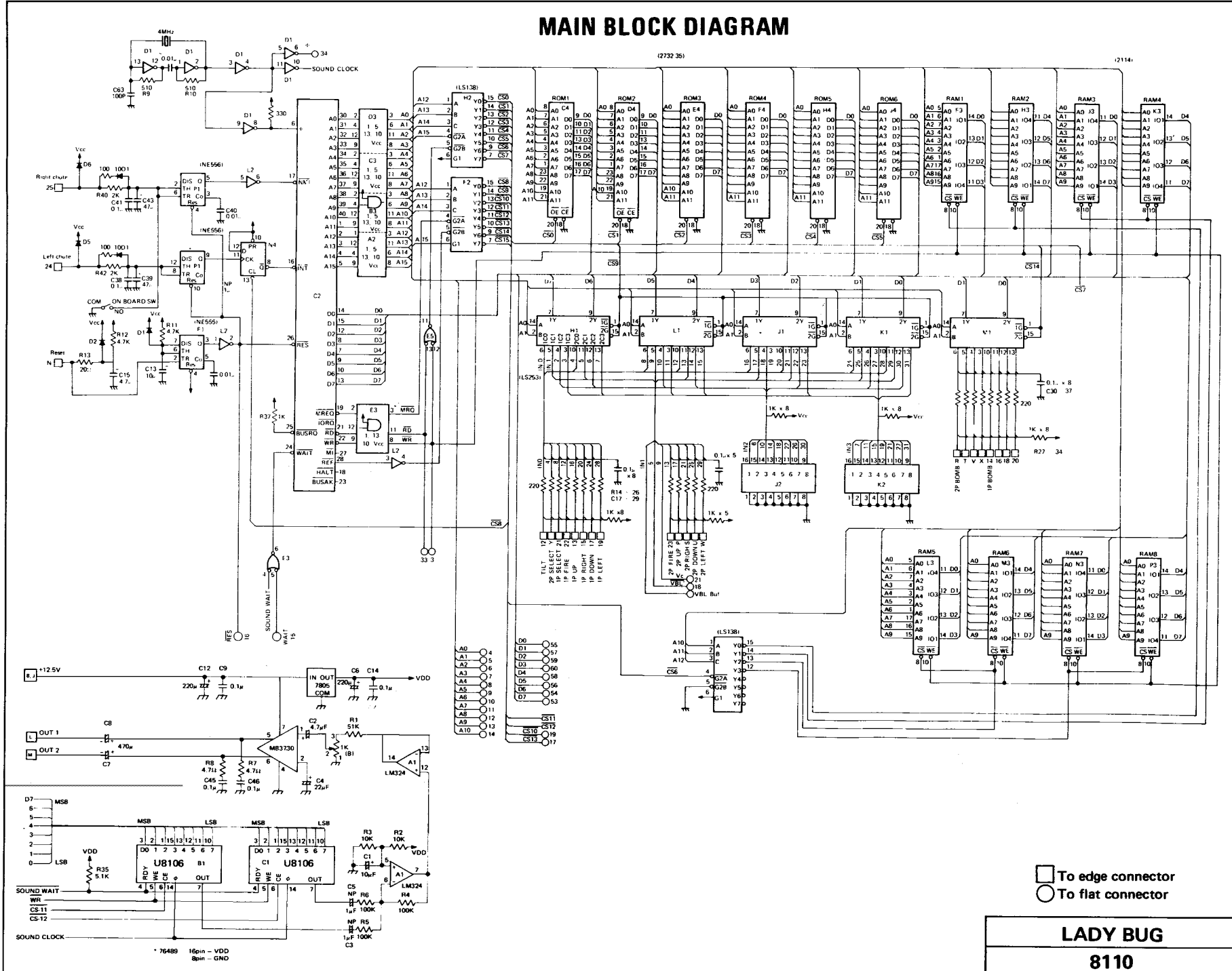


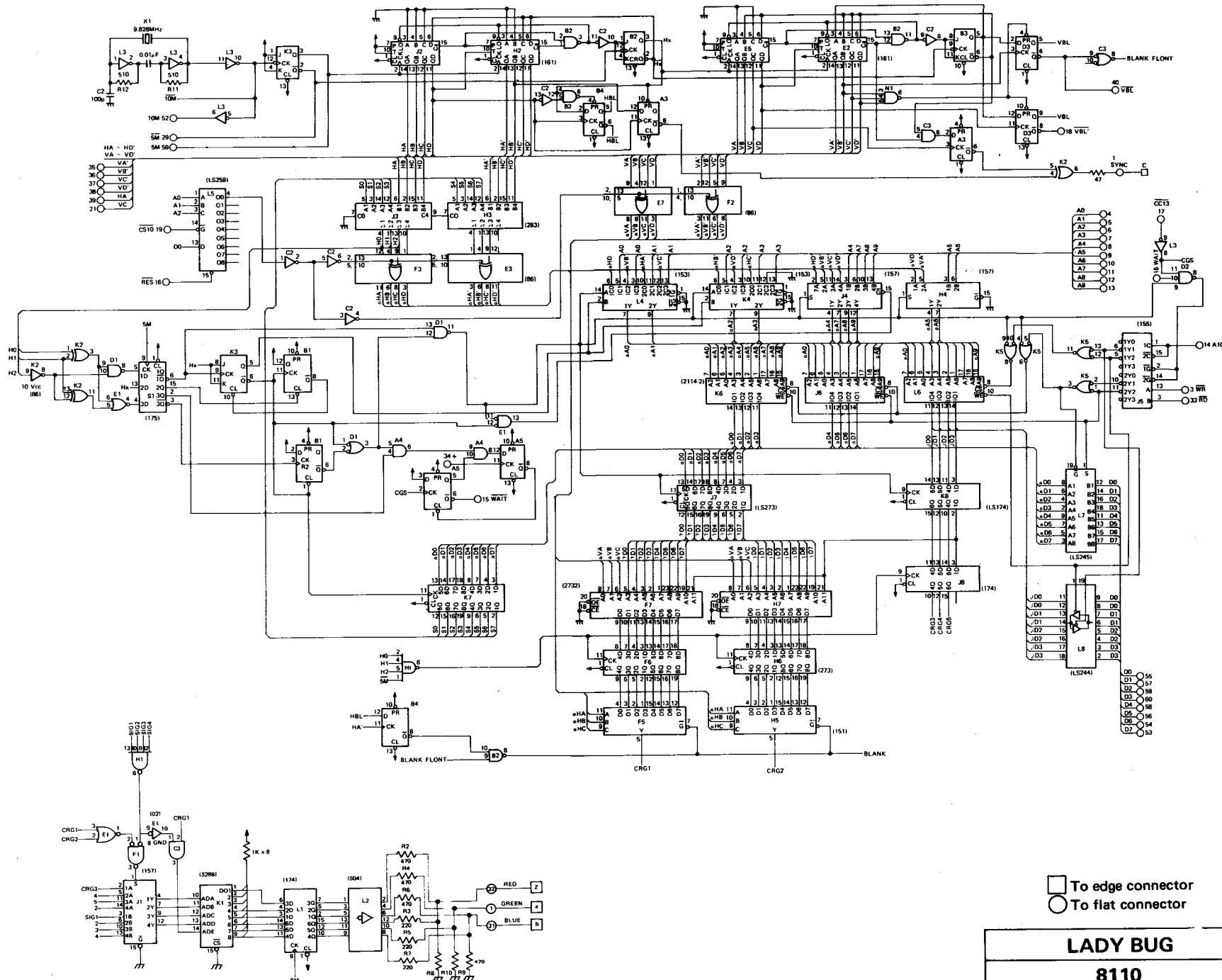
MAIN BLOCK DIAGRAM



□ To edge connector
○ To flat connector

LADY BUG
8110

* 76489 16pin - VDD
8pin - GND



To edge connector
 To flat connector

LADY BUG
8110

1	2	3	4	5	6	7	8	9	10	11	12	13	14	15	16	17	18	19	20	21	22	23	24	25	26	27	28	29	30	
SYNC	G	WR	A0	A1	A2	A3	A4	A5	A6	A7	A8	A9	A10	WA.7	RES	CS13	VBL	CS10	CK	INH	VC	OH1	X5	X4	X3	X2	X0	X1	SM	ECK
B	R	RD	φ	VA	V8	VC	VD	HA	VBL	CAB	CA7	CA6	VB	CL3	CL2	CL1	CLD	SM	CNT	EN	OH2	10M	D7	D6	D5	D4	D3	D2	O3	