

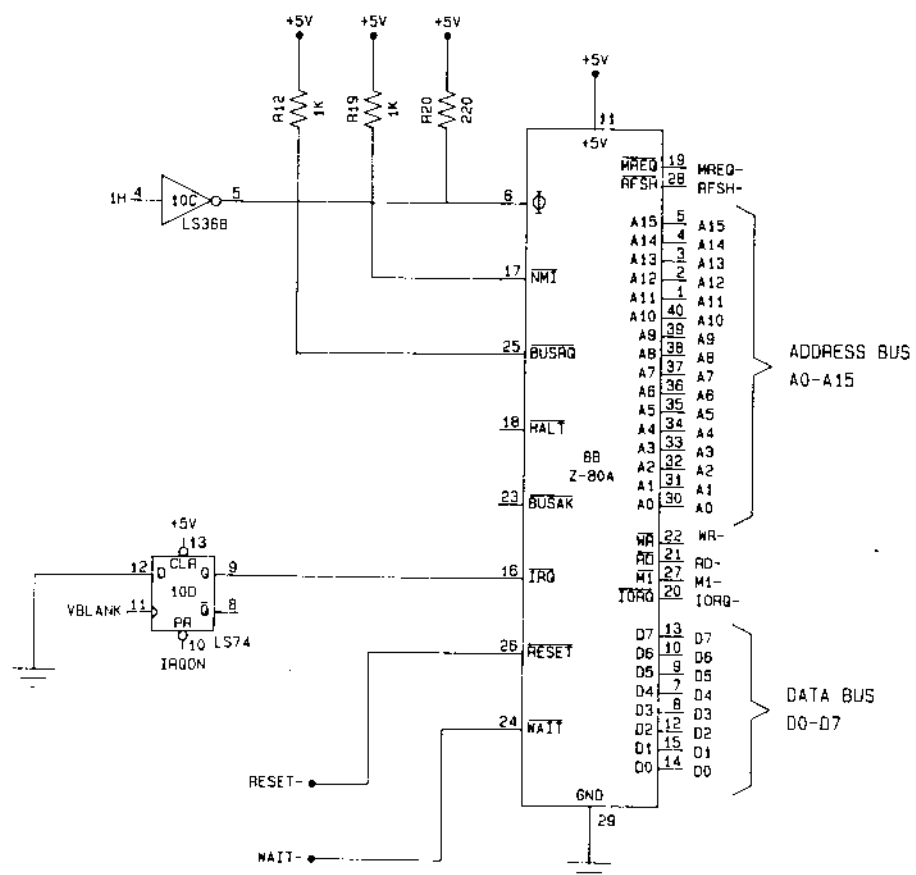
THIS DWG IS CONFIDENTIAL & PROPERTY OF BALLY/MIDWAY MFG CO

SHEET 1 OF 22

DWG. TOLERANCES UNLESS OTHERWISE SPEC CONCENTRICITY T I R .002 FRACTIONAL ± 1/64 DECIMAL ± .005 HOLE DIA . + .002 - .000 ANGLE x 1/2" DO NOT SCALE DWG.	FIRST USED ON JR. PACMAN DATE 11/29/83 SCALE FULL
	MECH. CHK. TBB MAT.
	FILED CHG.
	FINISH

Bally/MIDWAY MFG. CO.
 FRANKLIN PARK, IL 60131
JR. PACMAN (FIELD KIT)
LOGIC P.C.
A080-91694-BA29

REVISIONS	
PART NO	M051-00A29-B014

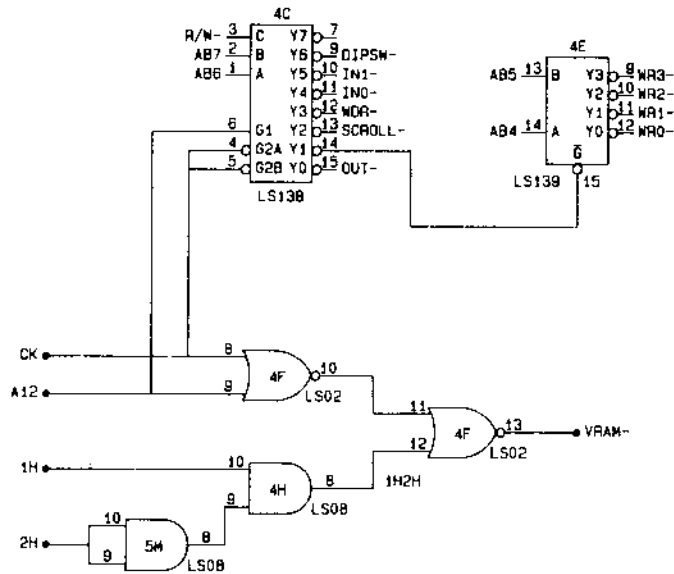


THIS DRAWING IS THE PROPERTY OF BALLY/MIDWAY MFG. CO.

DIM TOLERANCES UNLESS OTHERWISE SPEC FRACTIONAL ± 1/64 DECIMAL ± 0.05 HOLE DIA ± 0.02 - 0.00 ANGLE ± 1/2° DO NOT SCALE DWG.	PART USED IN: JR. PACMAN	DATE: 11/29/83	REV: FULL	
	DRAWN: 100	CHECKED:	DESIGNED:	
	MECH. CHK:	MFG. CHK:	ENGR. CHK:	TEST. CHK:
	TOLER. CHK:	FINISH:	ASSEMBLY:	INSPECTION:

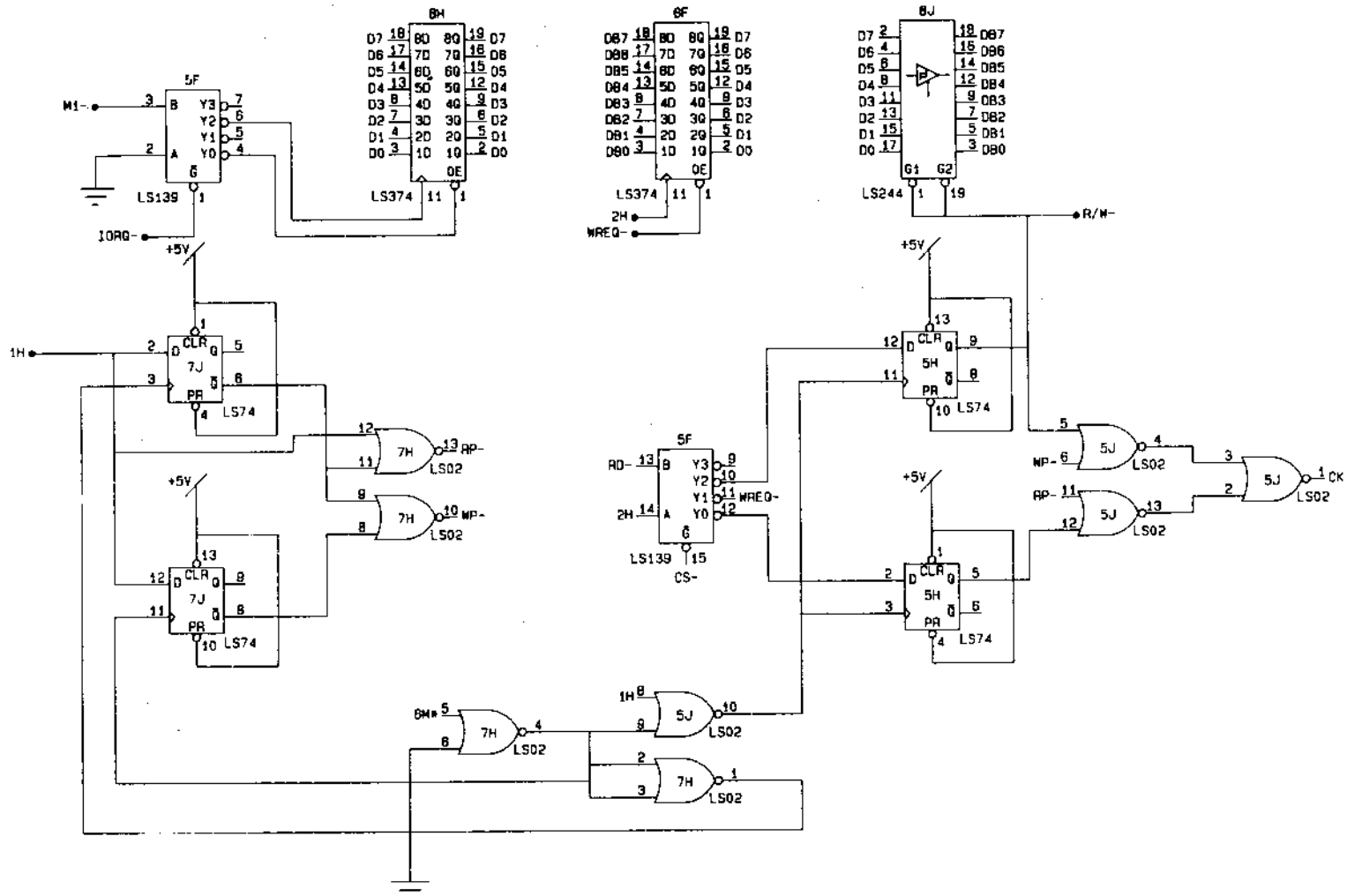
Bally/MIDWAY MFG. CO.
 FRANKLIN PARK, IL 60131
JR PACMAN (FIELD KIT)
LOGIC P.C.
A080-91694-BA29

SHEET 2 OF 22	
CPU	REVISIONS
PART NO	M.O-5-1-0-0-A-2-9-B-0-1-4



THIS LOGIC IS A TRADE SECRET AND PROPERTY OF BALLY MIDWAY MFG. CO.

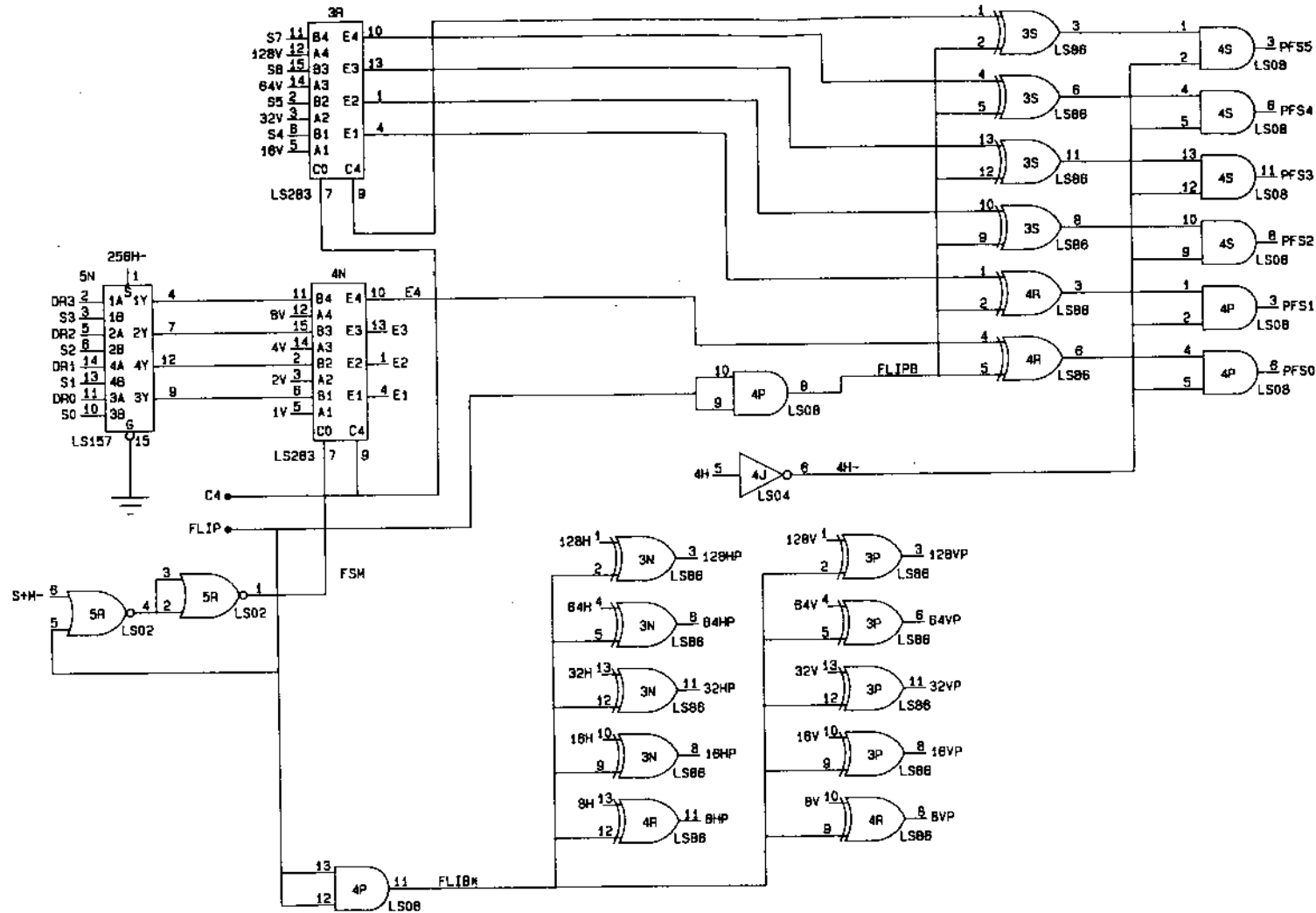
DIM TOLERANCES UNLESS OTHERWISE SPEC CONCENTRICITY TIR .002 FRACTIONAL ± 1/64 DECIMAL ± .005 HOLE DIA + .002 - .000 ANGLE ± 1/2° DO NOT SCALE DWG.	FIRST DESIGNER JR. PACMAN	DATE 11/29/83	FULL	<i>Bally</i> MIDWAY MFG. CO. FRANKLIN PARK, IL 60131	SHEET 3 OF 22
	DRN TBB	WA 			ADDRESS DECODE
	REC'D 				REVISIONS
	FILED 			JR. PACMAN (FIELD KIT) LOGIC P.C. A080-91694-BA29	PART NO M05100A29-B014



DIM. TOLERANCES UNLESS OTHERWISE SPEC CONCENTRICITY T1R 002 FRACTIONAL ± 1/64 DECIMAL ± .005 HOLE DIA + .002 - .000 ANGLE ± 1/2° DO NOT SCALE DWG.	FIRST USED ON JR. PACMAN	DATE 11/29/83	SCALE FULL
	DRN TRB	MFG. CHG.	FINISH
	ELEC. CHG.	PART NO.	REV.
	DATE	QUANTITY	DRAWING NO.

Bally / **MIDWAY MFG. CO.**
 FRANKLIN PARK, IL 60131
JR. PACMAN (FIELD KIT)
LOGIC P.C.
A080-91694-BA29

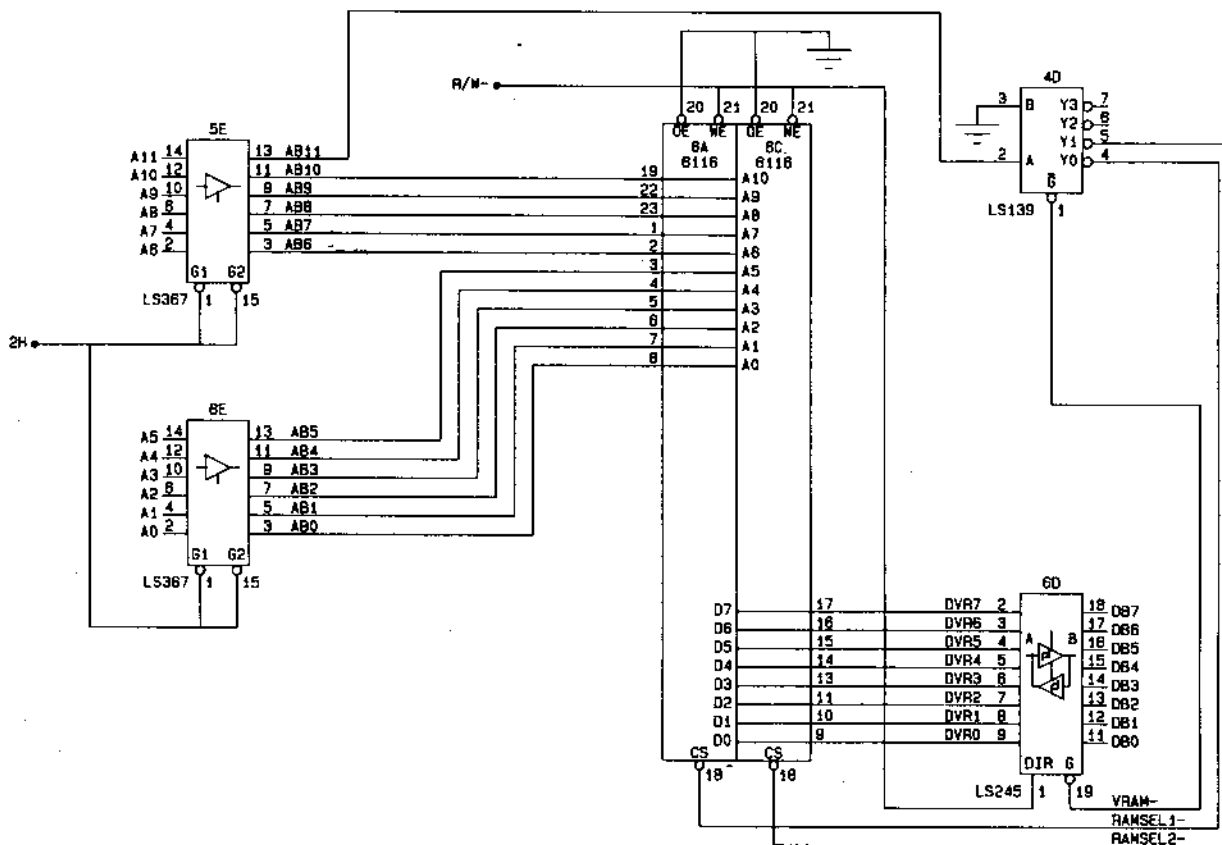
SYNC BUS CONTROLLER	
REVISIONS	
PART NO	M0-5-1-0-0-A-2-9-B-0-1-4



THIS DWG IS CONFIDENTIAL & PROPERTY OF BALLY/MIDWAY MFG CO

SHEET 5 OF 22	
SCROLLING / VIDEO	
REVISIONS	
PART NO	M0-5-1-0-0-A-2-9-C-0-1-0

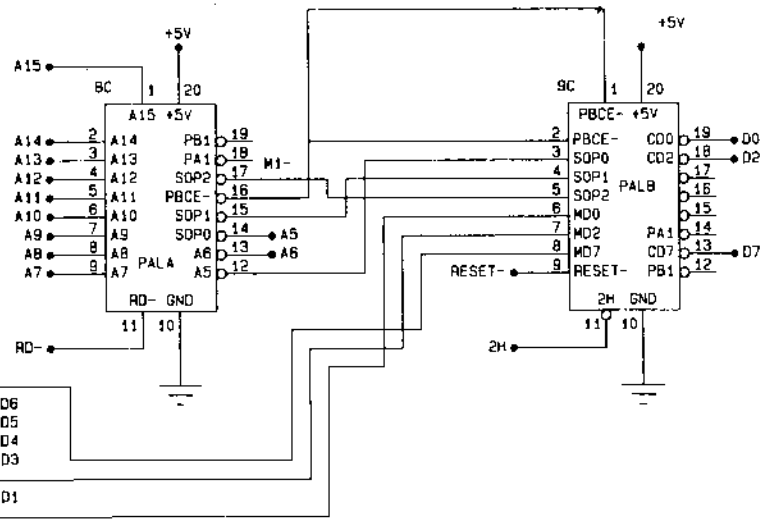
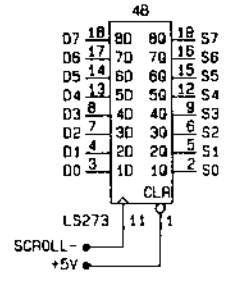
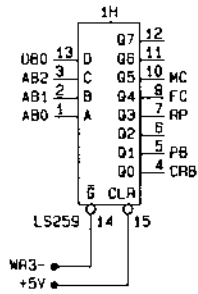
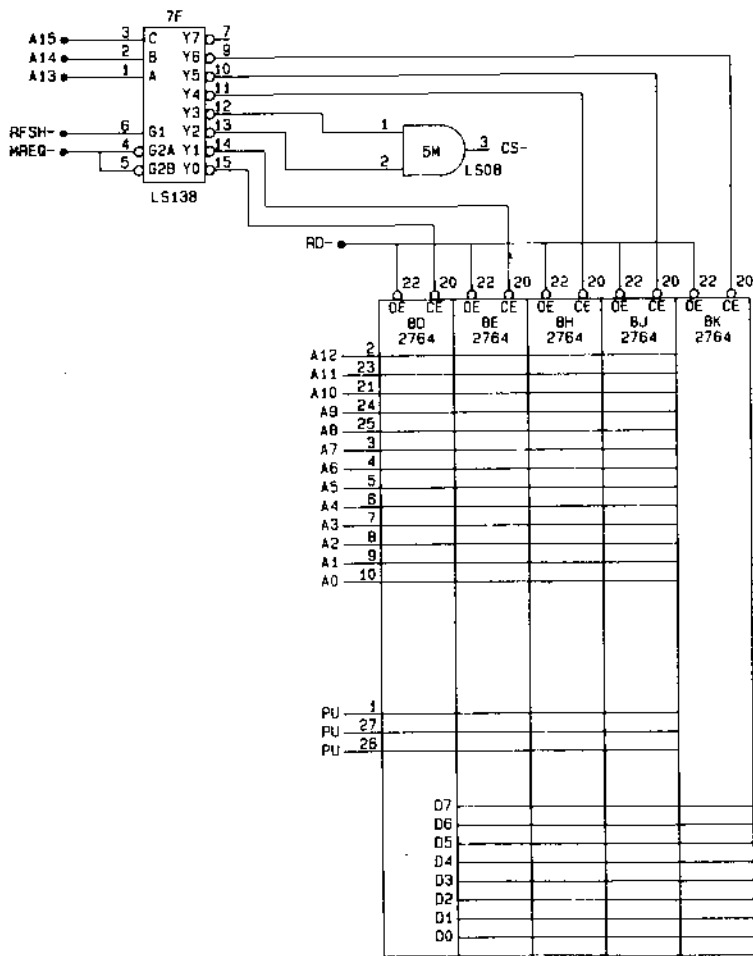
DIM. TOLERANCES UNLESS OTHERWISE SPEC. CONCENTRICITY T.I.R. .002 FRACTIONAL ± .1/64 DECIMAL ± .005 HOLE DIA. ± .002 - .000 ANGLE ± 1/2° DO NOT SCALE DWG.	FIRST USED ON JR. PACMAN DWN TDG DATE 12/08/83 SCALE FULL
	MECH ENK MATL
	ELEC CHR FINISH
	Bally/MIDWAY MFG CO. FRANKLIN PARK, IL 60131 JR. PACMAN (CONVERSION) LOGIC P.C. A080-91688-CA29



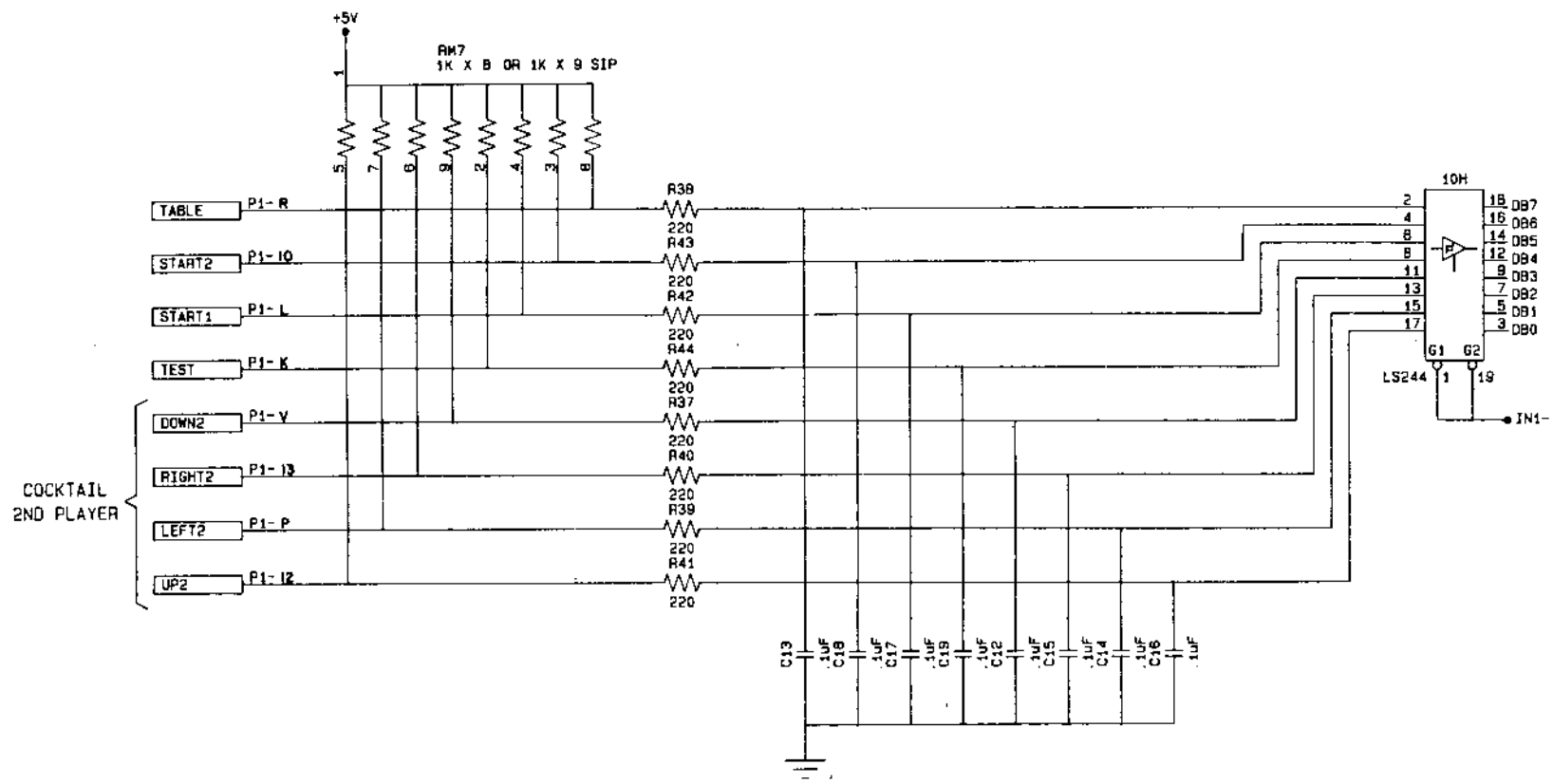
THIS DWG IS CONFIDENTIAL & PROPERTY OF BALLY/MIDWAY MFG CO

SHEET 6 OF 22

DIM. TOLERANCES UNLESS OTHERWISE SPEC. CONCENTRICITY T.I.R. .002 FRACTIONAL ± 1/64 DECIMAL ± .005 HOLE DIA. ± .002 - .000 ANGLE ± 1/2° DO NOT SCALE DWG.	FIRST USED ON JR. PACMAN	DATE 12/08/83		SCALE FULL	 FRANKLIN PARK, IL 60131	RAM	
	DRN TBB	MECH CHK MAT				JR. PACMAN (CONVERSION)	REVISIONS
	ELEC CHK	FINISH				LOGIC P.C.	PART NO.
	A080-91688-CA29					M.O-5-1-0-0-A-2-9-C-0-1-0	



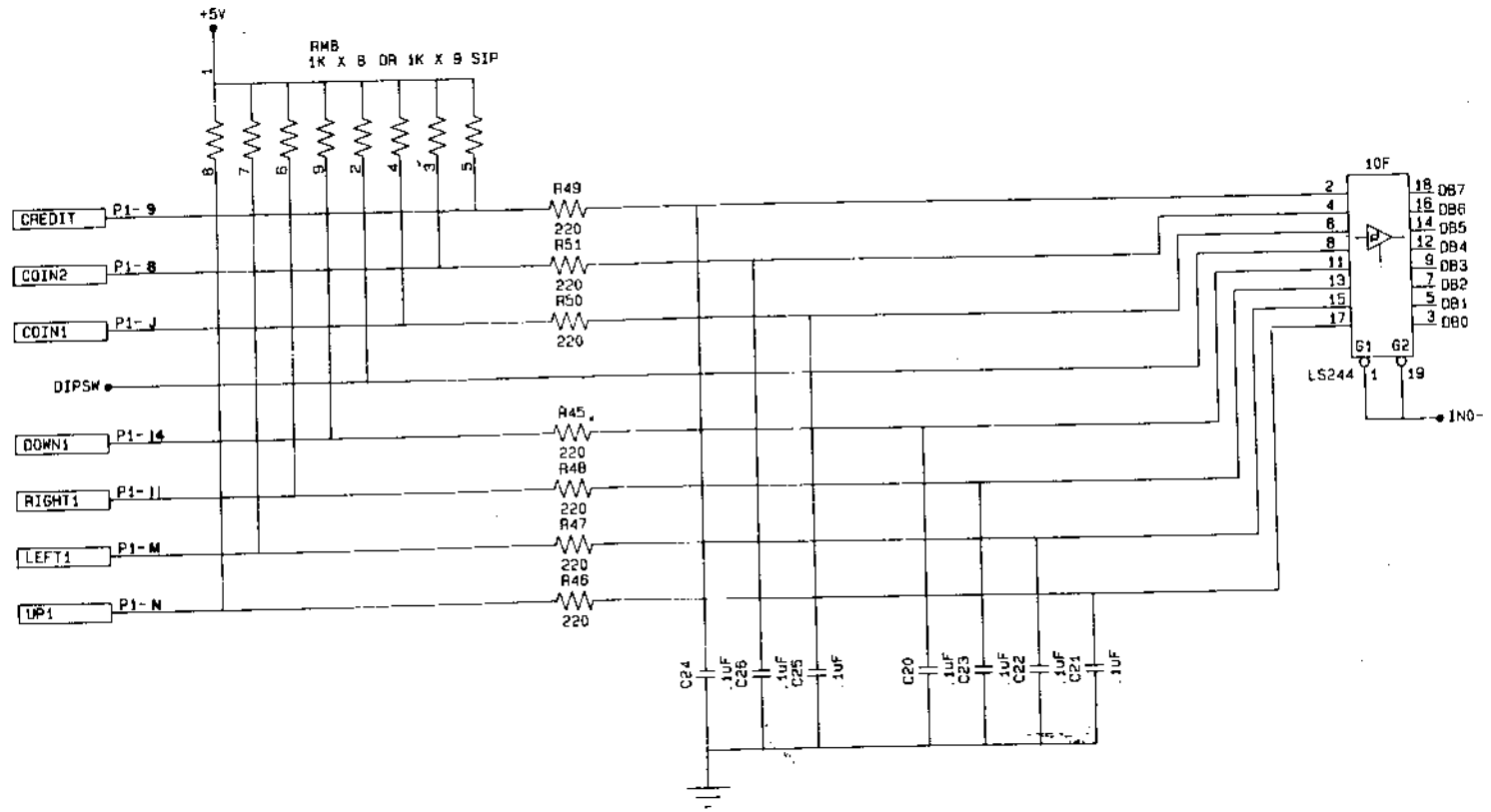
DIM. TOLERANCES UNLESS OTHERWISE SPEC. CONCENTRICITY TYP. .002 FRACTIONAL ± 1/64 DECIMAL ± .005 HOLE DIA. +.002 - .000 ANGLE ± 1/2° DO NOT SCALE DWG.		PART NO. JR. PACMAN DATE 11/29/83 FULL REV. 100	(Bally) MIDWAY MFG. CO. FRANKLIN PARK, IL 60131 JR. PACMAN (FIELD KIT) LOGIC PC. A080-91694-BA29	SHEET 7 OF 22 ROM REVISIONS PART NO. M.O.5-1-0-0-A-2-9-B 0 1 4
--	--	--	--	---



DIM. TOLERANCES UNLESS OTHERWISE SPEC CONCENTRICITY Y 1 R .002 FRACTIONAL ± 1/64 DECIMAL ± .005 HOLE DIA + .002 - .000 ANGLE ± 1/2° DO NOT SCALE DWG.	FIRST USE/ON JR. PACMAN URN T80 DATE 11/29/83 SCALE FULL
	MECH CDR _____ MAT: _____ ELEC CDR _____ FINISH _____

Bally/MIDWAY MFG. CO.
 FRANKLIN PARK, IL 60131
JR. PACMAN (FIELD KIT)
LOGIC P.C.
A080-91694-BA29

DIGITAL IN1	
REVISIONS	
PART NO M0-5-1-0-0-A-2-9-B-01-4	_____



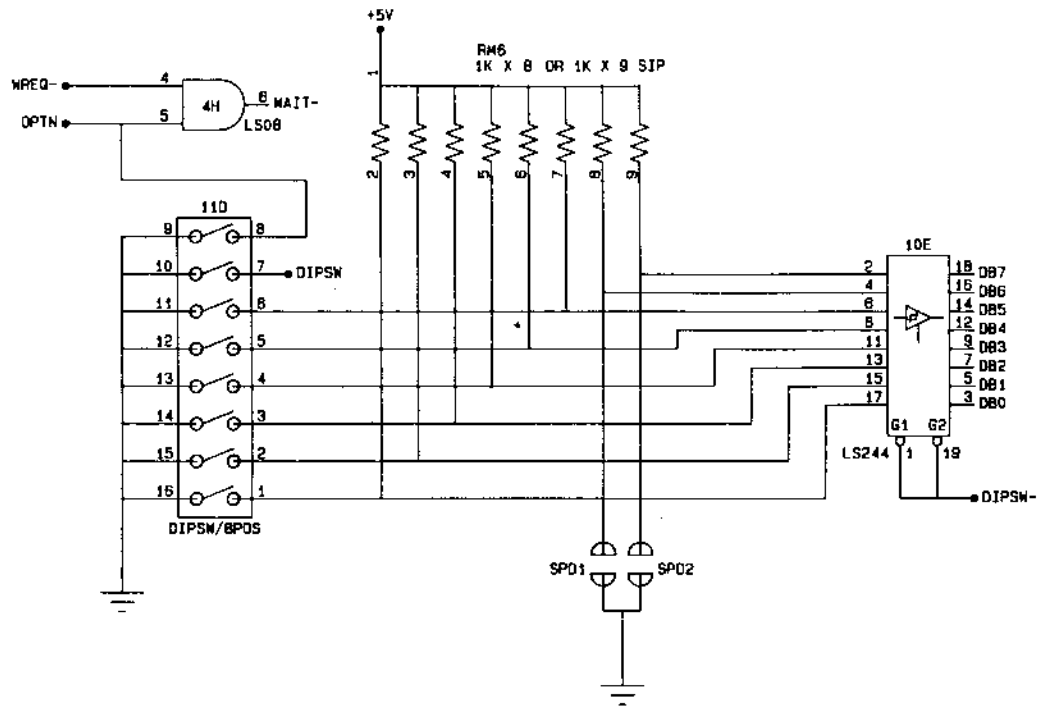
THIS DWG IS CONFIDENTIAL & PROPERTY OF BALLY/MIDWAY MFG. CO.

DIM. TOLERANCES
 UNLESS OTHERWISE SPEC
 CONCENTRICITY T.I.P. 002
 FRACTIONAL ± 1/64
 DECIMAL ± 005
 HOLE DIA. + 002 - 000
 ANGLE ± 1/2°
DO NOT SCALE DWG.

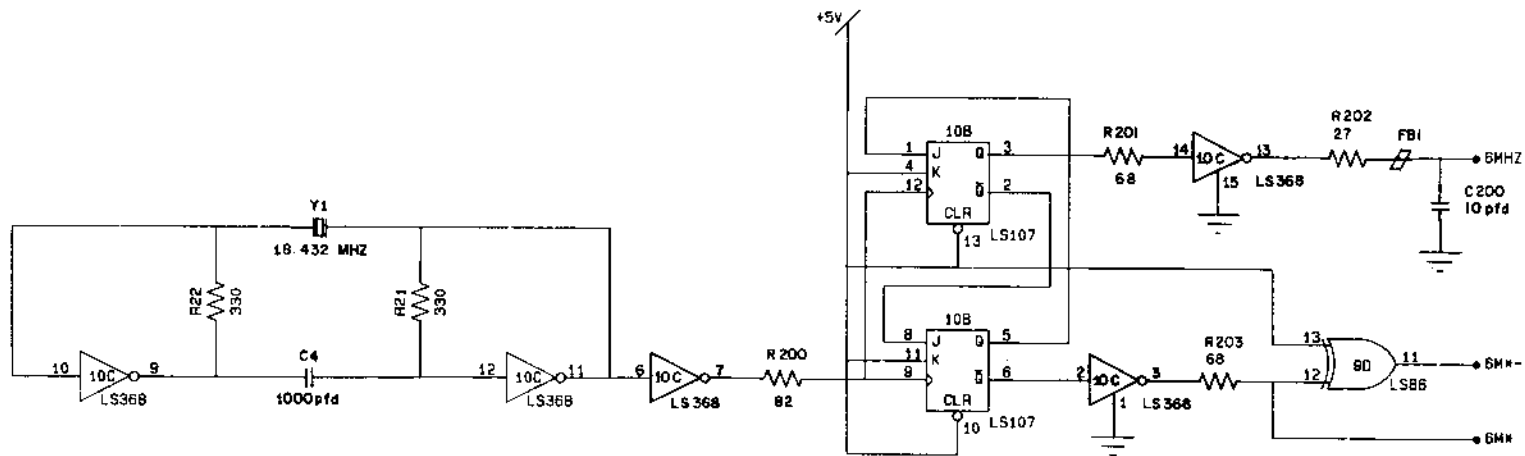
FIRST USED ON	JR. PACMAN	
DATE	11/29/83	SCALE FULL
DESIGNER	100	
WELDRMAN		
ELEC. CHG.		
MATERIAL		
FINISH		

Bally / **MIDWAY MFG. CO.**
 FRANKLIN PARK, IL 60131
JR. PACMAN (FIELD KIT)
 LOGIC P.C.
 A080-91694-BA29

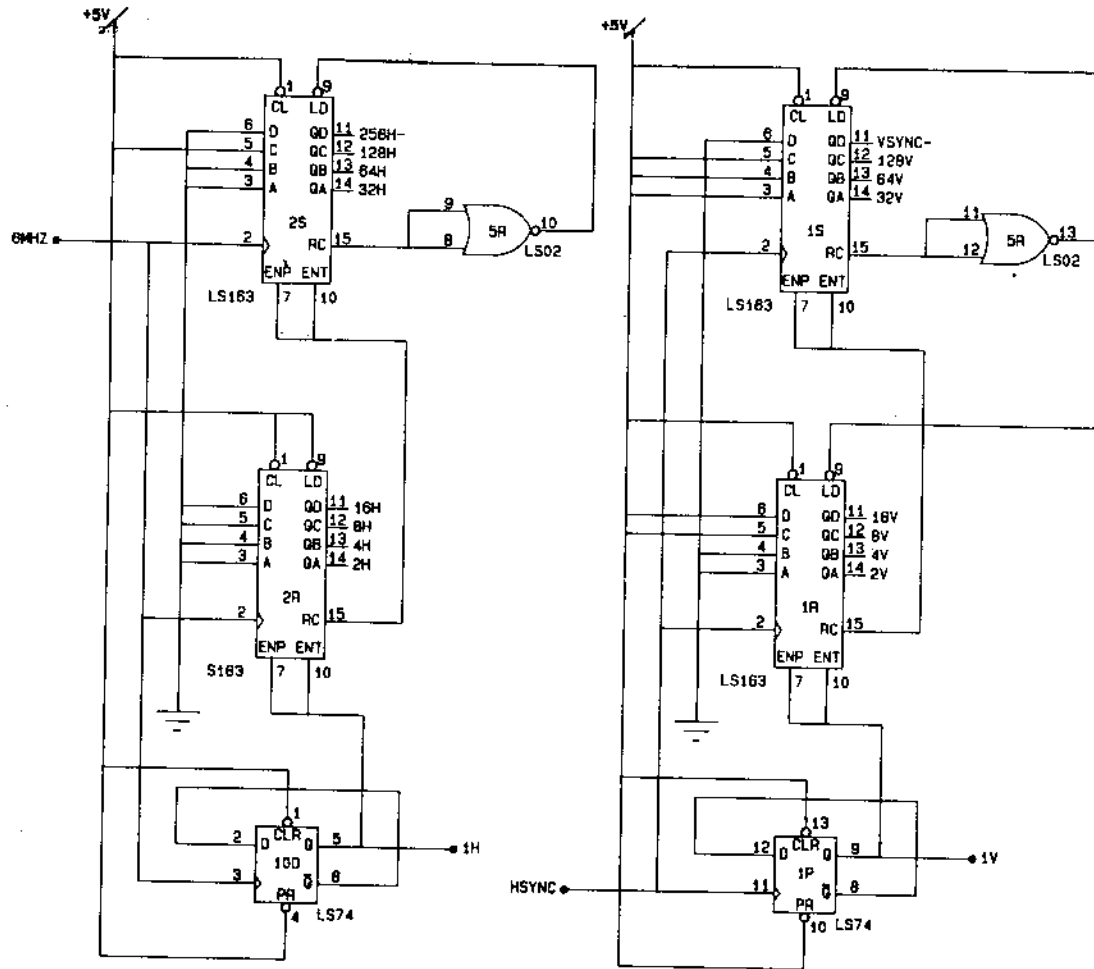
SHEET 9 OF 22	
DIGITAL IN2	
REVISIONS	
PART NO.	M.O.5-1-00-A-2-9-B-0-1-4



DIM TOLERANCES UNLESS OTHERWISE SPEC CONCENTRICITY TIR .002 FRACTIONAL ± .154 DECIMAL ± .005 HOLE DIA +.002 - .000 ANGLE ± 1/2° DO NOT SCALE DWG.	FIRST USED ON JR. PACMAN	Bally/MIDWAY MFG. CO. <small>FRANKLIN PARK, IL 60131</small>		SHEET 10 OF 22
	DURN TBB	DATE 11/29/83	SCALE FULL	DIPSWITCH
	MECH. CHK.	DATE	FINISH	REVISIONS
ELEC. CHK.	DATE	FINISH	JR. PACMAN (FIELD KIT) LOGIC P.C. A080-91694 - BA29	PART NO M.O.5.1-0.0.A.2.9-B.0.1.4

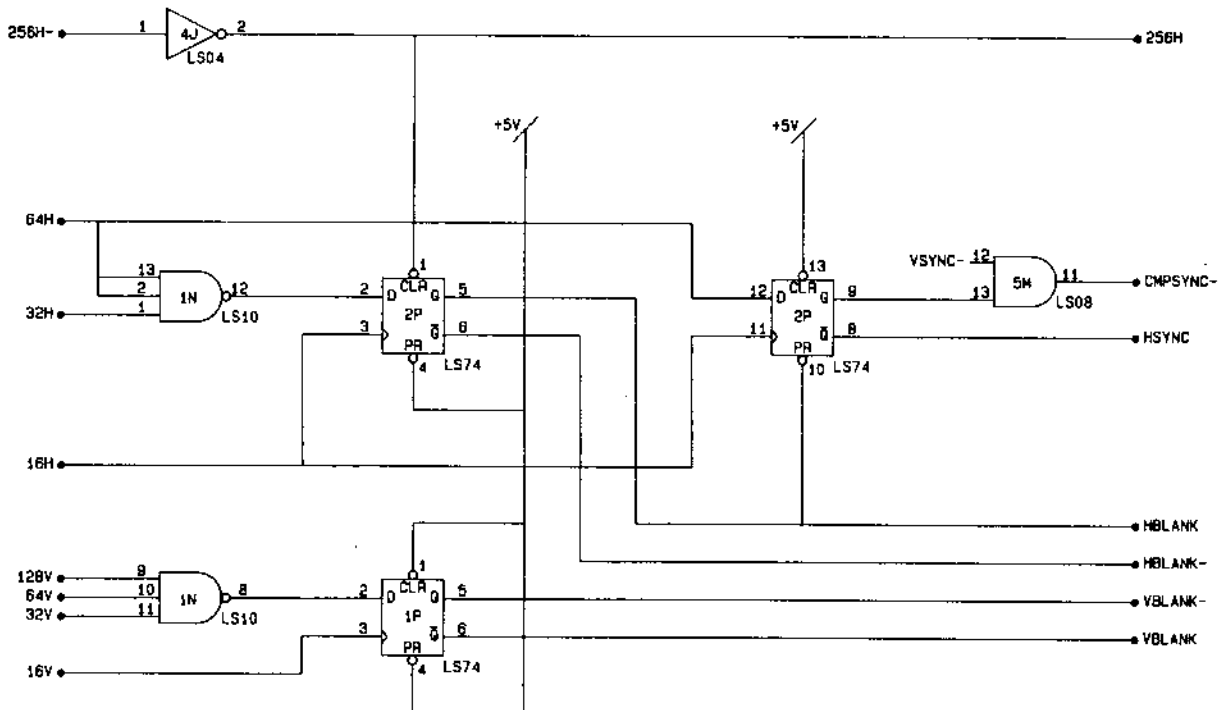


DIM. TOLERANCES UNLESS OTHERWISE SPEC CONCENTRICITY TIR .002 FRACTIONAL ± 1/64 DECIMAL ± .005 HOLE DIA .002 - .000 ANGLE ± 1/2° DO NOT SCALE DWG.		PART NO. JR. PACMAN LTR. 788 DATE 11/29/83 ALL FULL MECHAN. MAT. FILE CHG. FINISH	Bally/MIDWAY MFG. CO. FRANKLIN PARK, IL 60131 JR. PACMAN (FIELD KIT) LOGIC PC. A080-91694-BA29	SHEET 11 OF 22 CLOCK GENERATOR REVISIONS PART NO M-0-5-1-0-0-A-2-9-B-0-1-4
---	--	--	--	--



THIS DWG IS CONFIDENTIAL & PROPERTY OF BALLY/MIDWAY MFG. CO.

DIM. TOLERANCES UNLESS OTHERWISE SPEC CONCENTRICITY T1 R .002 FRACTIONAL ± 1/64 DECIMAL ± .005 HOLE DIA + .002 - .000 ANGLE ± 1/2° DO NOT SCALE DWG.	PART USED IN JR. PACMAN	<i>Bally/MIDWAY</i> MFG. CO. FRANKLIN PARK, IL 60131	SHEET 12 OF 22		
	TURN 100		DATE 11/29/83	DRAWN BY FULL	SYNC GENERATOR
	MECH. CHK _____	ELEC. CHK _____	FINISH _____	REVISIONS	
	JR. PACMAN (FIELD KIT) LOGIC P.C. A0B0-91694-BA29			PART NO M.O-5-1-0-0-A-2-9-B-0-1-4	



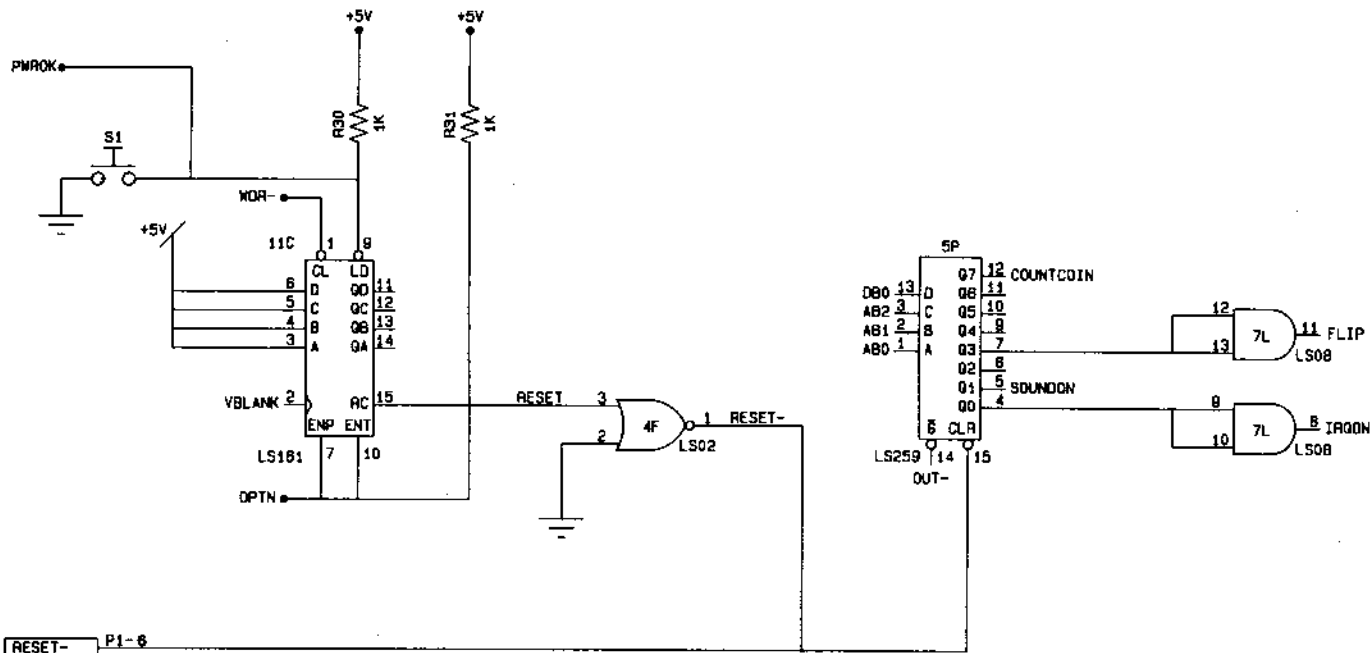
THIS DWG IS CONFIDENTIAL & PROPERTY OF BALLY/MIDWAY MFG CO

DMT TOLERANCES
 UNLESS OTHERWISE SPEC.
 CONCENTRICITY T.I.R. .002
 FRACTIONAL ± 1/64
 DECIMAL ± .005
 HOLE DIA. ± .002 - .000
 ANGLE ± 1/2°
DO NOT SCALE DWG.

FIRST USED ON	JR. PACMAN		
DRN	DATE	SCALE	
TEB	12/08/83	FULL	
MECH CHR	MAT'L		
ELEC CHR	FINISH		

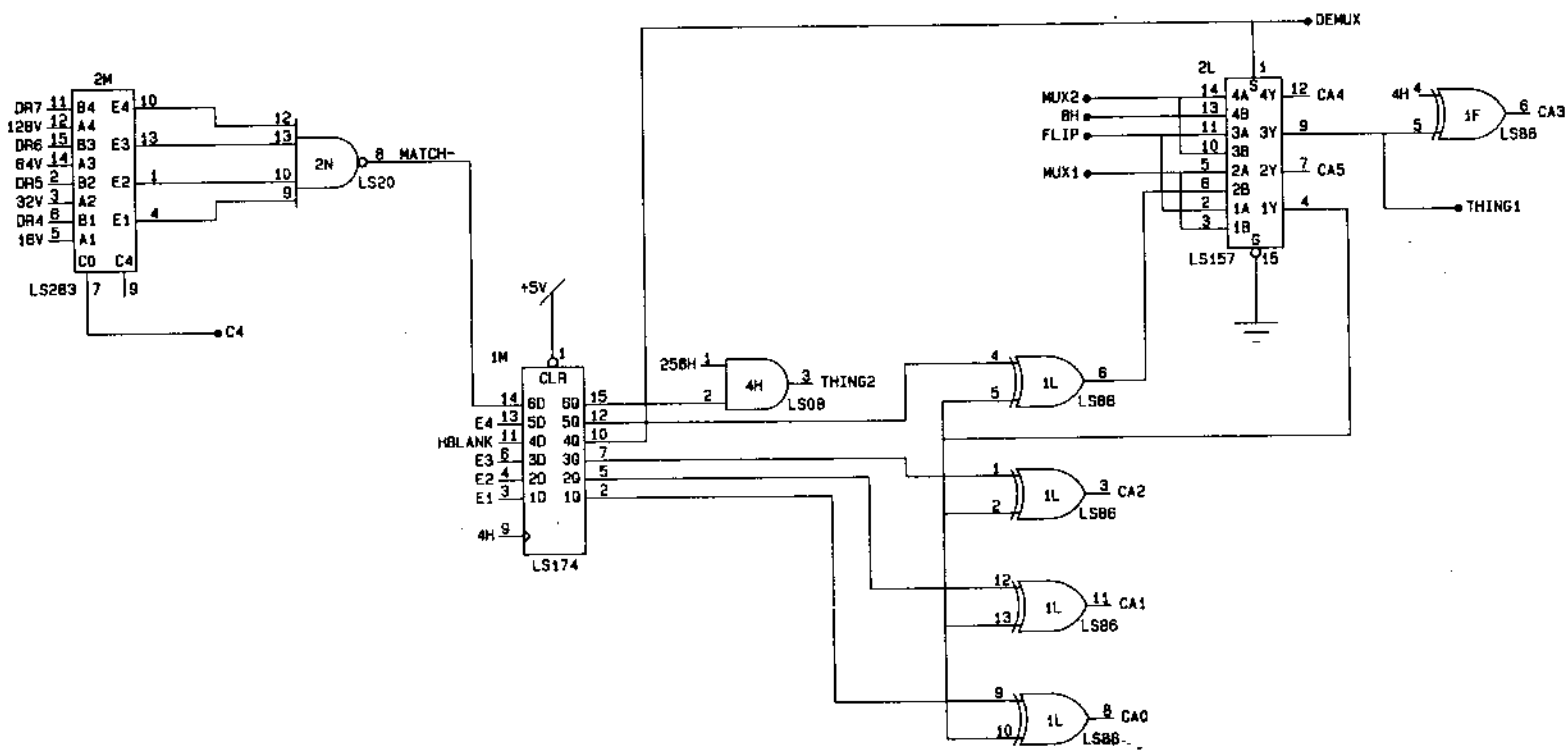
Bally / MIDWAY MFG. CO.
 FRANKLIN PARK, IL 60131
 JR. PACMAN (CONVERSION)
 LOGIC P.C.
 A080-91688-CA29

SHEET 13 OF 22	
BLANK GENERATOR	
REVISIONS	
PART NO	M-0-5-1-0-0-A-2-9-C-0-1-0



THIS DWG IS CONFIDENTIAL & PROPERTY OF BALLY/MIDWAY MFG CO

DIM. TOLERANCES UNLESS OTHERWISE SPEC. CONCENTRICITY T.I.R. .002 FRACTIONAL ± 1/64 DECIMAL ± .005 HOLE DIA. ± .002 - .000 ANGLE ± 1/2° DO NOT SCALE DWG.		FIRST USED ON JR. PACMAN DRW 100 DATE 12/08/83 SCALE FULL	<i>Bally</i> / MIDWAY MFG. CO. FRANKLIN PARK, IL 60131	SHEET 14 OF 22
			RESET IRQ	
			REVISIONS	
			PART NO M051-00A29-C010	
			JR. PACMAN (CONVERSION) LOGIC P.C. A080-91688-CA29	



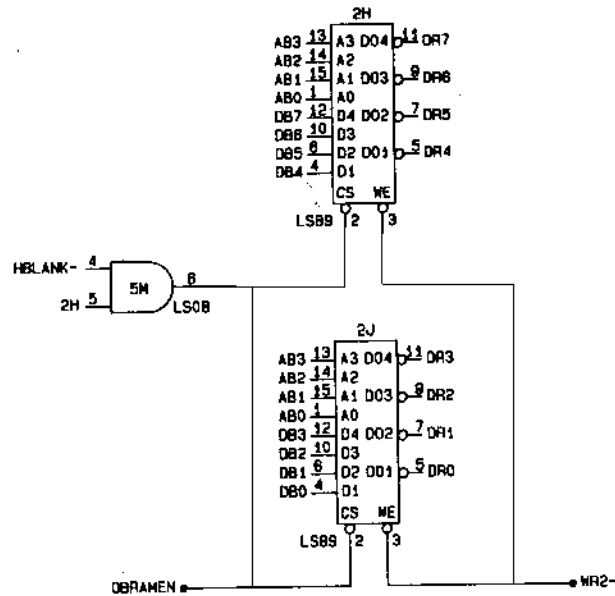
THIS DWG IS CONFIDENTIAL & PROPERTY OF BALLY/MIDWAY MFG. CO.

SHEET 15 OF 22

DIM. TOLERANCES UNLESS OTHERWISE SPEC CONCENTRICITY T.I.R. .002 FRACTIONAL ± .004 DECIMAL ± .005 HOLE DIA. ± .002 - .000 ANGLE ± 1/2° DO NOT SCALE DWG.	FIRST USED ON	JR. PACMAN		SCALE	FULL
	DRW	788	DATE	12/08/83	
	MECH CHK		MAT		
	ELEC CHK		FINISH		

Bally/MIDWAY mfg. co.
 FRANKLIN PARK, IL 60131
 JR. PACMAN (CONVERSION)
 LOGIC P.C.
 A080-91688-CA29

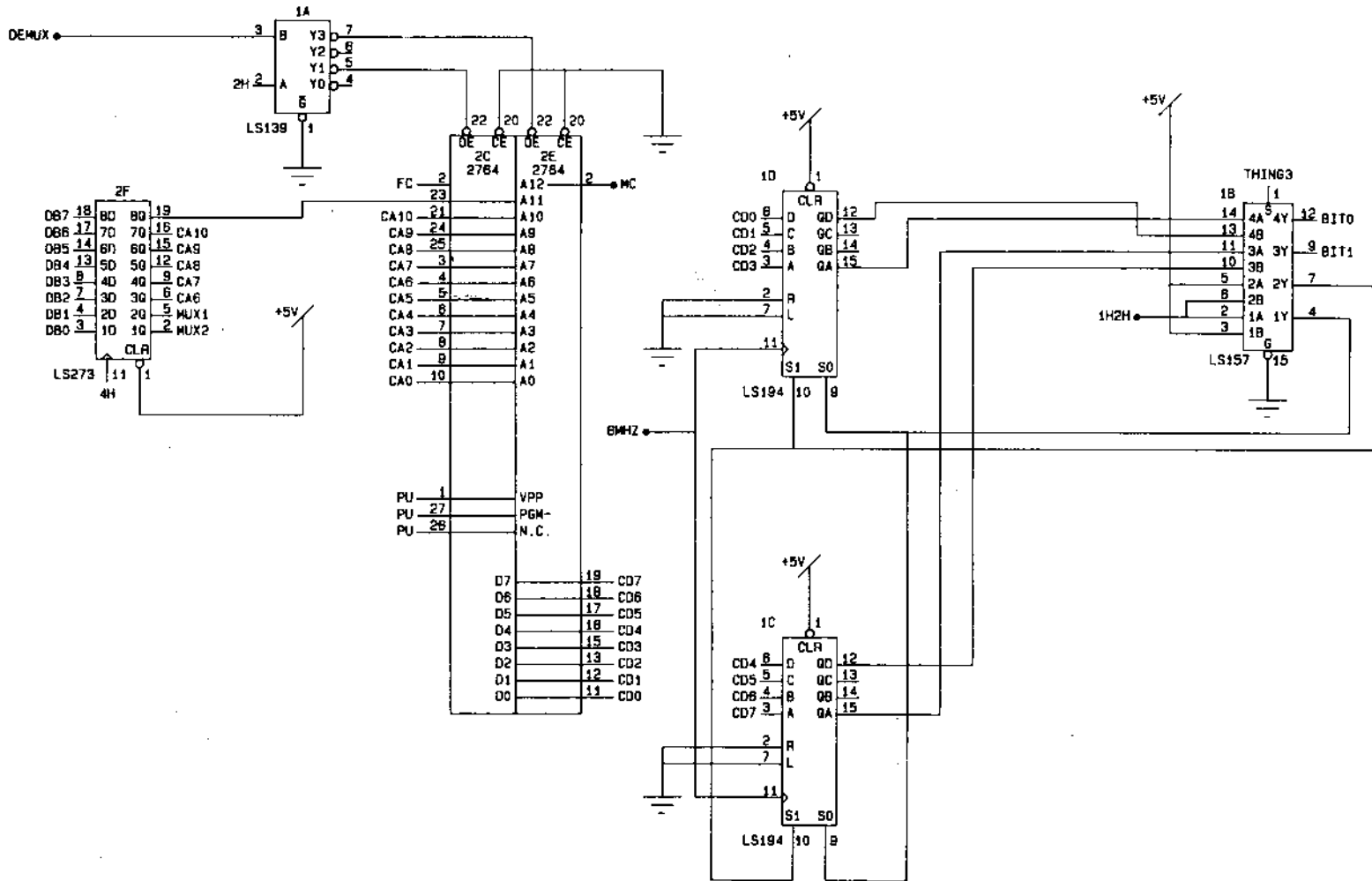
VERT. ADDRESS TIMING	
REVISIONS	
PART NO	MO-5-1-0-0-A-2-9-C-0-1-0



THIS DWG IS CONFIDENTIAL & PROPERTY OF BALLY/MIDWAY MFG CO

SHEET 16 OF 22

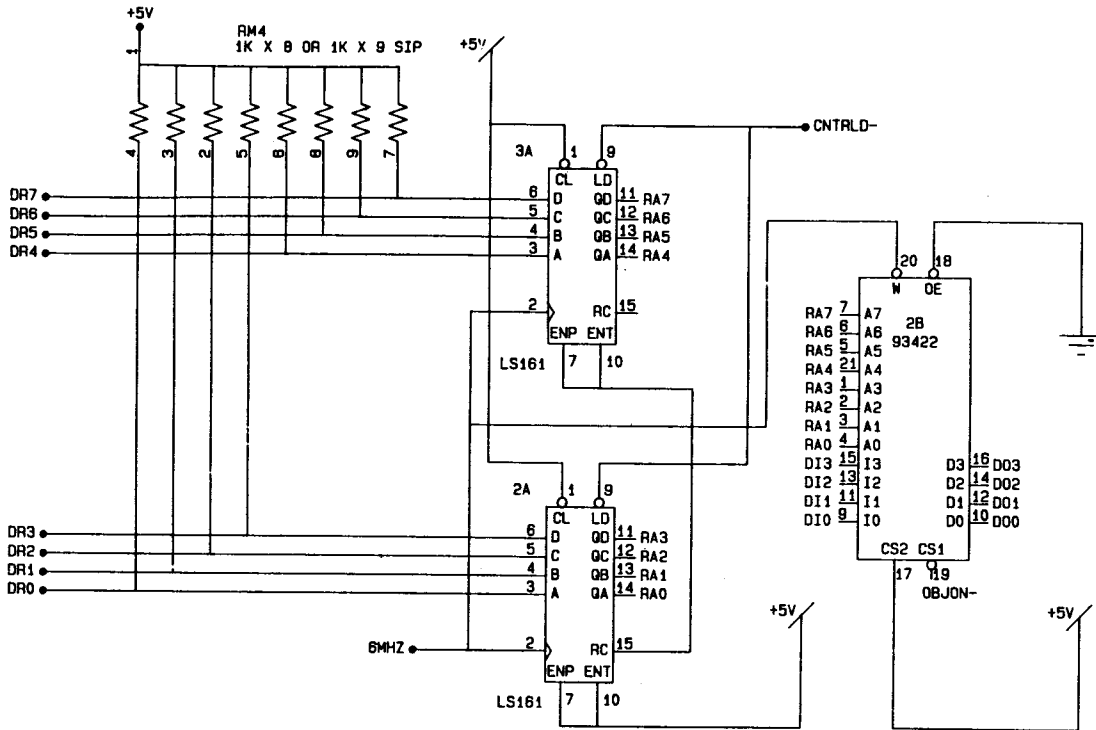
DIM. TOLERANCES UNLESS OTHERWISE SPEC. CONCENTRICITY T.I.R. .002 FRACTIONAL $\pm 1/64$ DECIMAL $\pm .005$ HOLE DIA. $+ .002 - .000$ ANGLE $\pm 1/2^\circ$ DO NOT SCALE DWG.	FIRST USED ON JR. PACMAN	Bally/MIDWAY MFG. CO. FRANKLIN PARK, IL 60131		OBJECT RAM	
	DWN TBB	DATE 12/08/83	SCALE FULL		REVISIONS
	MECH CKR _____	MAIL _____	JR. PACMAN (CONVERSION)		
	ELEC CKR _____	FINISH _____	LOGIC P.C. A080-91688-CA29		M-0-5-1-0-0-A-2-9-C-0-1-0



THIS DWG IS CONFIDENTIAL & PROPERTY OF BALLY/MIDWAY MFG CO

SHEET 17 OF 22

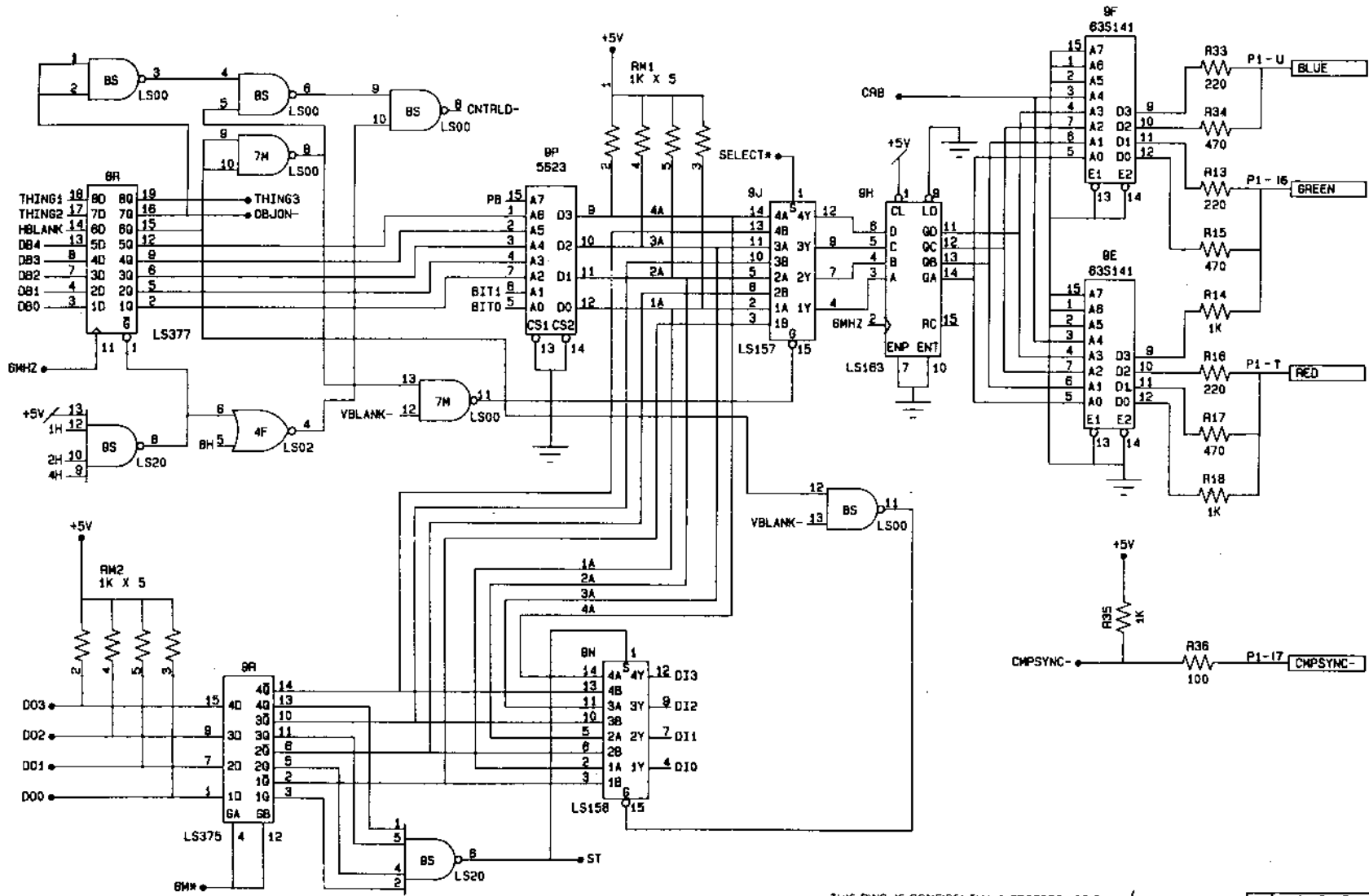
D.M. TOLERANCES		PART USED ON		DATE		SCALE		Bally/MIDWAY MFG. CO.		OBJECT ROM	
UNLESS OTHERWISE SPEC.		JR. PACMAN		12/08/83		FULL		FRANKLIN PARK, IL 60131		REVISIONS	
CONCENTRICITY T.I.R. .002		DRN		MATT		FLEC CHK		FINISH		PART NO	
FRACTIONAL ± 1/64		100								M.O.5.1-0.0.A.2.9-C.O.1.0	
DECIMAL ± .005											
HOLE DIA ± .002-.000											
ANGLE ± 1/2°											
DO NOT SCALE DWG.											
JR. PACMAN (CONVERSION)								A080-91688-CA29			



THIS DWG. IS CONFIDENTIAL & PROPERTY OF BALLY/MIDWAY MFG CO.

SHEET 18 OF 22

DIM. TOLERANCES UNLESS OTHERWISE SPEC. CONCENTRICITY T.I.R. 002 FRACTIONAL ± 1/64 DECIMAL ± .005 HOLE DIA. + .002 - .000 ANGLE ± 1/2° DO NOT SCALE DWG.	FIRST USED ON JR. PACMAN	Bally/MIDWAY MFG. CO. FRANKLIN PARK, IL 60131 JR. PACMAN (CONVERSION) LOGIC P.C. A080-91688-CA29	LINE RAM		
	DRN TBB		DATE 12/08/83	SCALE FULL	REVISIONS
	MECH CKR 		MAT'L 	PART NO M.O.5.1-0.0.A.2.9-C.0.1.0	
ELEC CKR 	FINISH 				



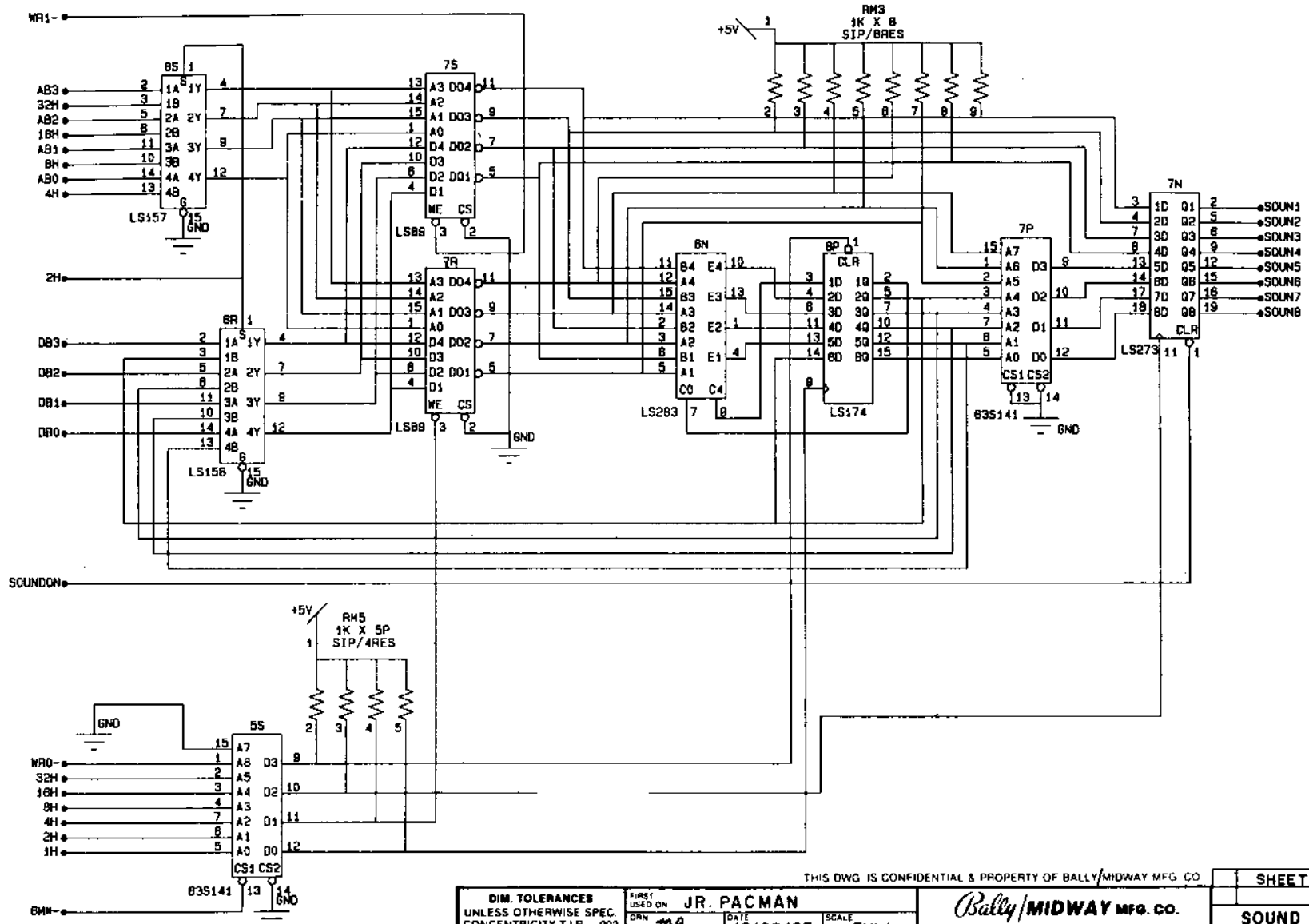
THIS DWG IS CONFIDENTIAL & PROPERTY OF BALLY/MIDWAY MFG. CO.

DIM. TOLERANCES
 UNLESS OTHERWISE SPEC.
 CONCENTRICITY T1R .002
 FRACTIONAL ± .002
 DECIMAL ± .005
 HOLE DIA. + .002 - .000
 ANGLE ± 1/2°
 DO NOT SCALE DWG.

FIRST USED ON	JR. PACMAN
DATE	12/08/83
SCALE	FULL
MECH. CHG.	
ELEC. CHG.	

Bally/MIDWAY MFG. CO.
 FRANKLIN PARK, IL 60131
JR. PACMAN (CONVERSION)
 LOGIC P.C.
 A080-91688-CA29

COLOR ROM
REVISIONS
PART NO
M.O. 5-1-0-0-A-2-9-C-0-1-0

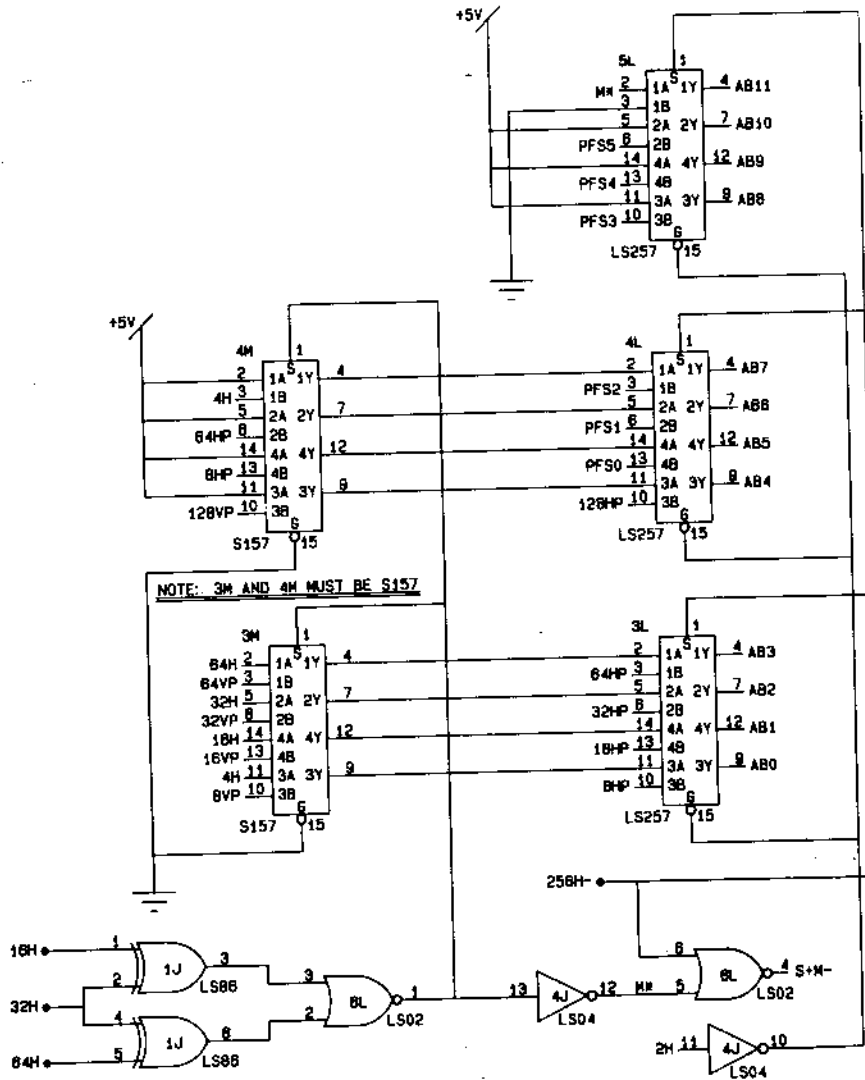


THIS DWG IS CONFIDENTIAL & PROPERTY OF BALLY/MIDWAY MFG CO

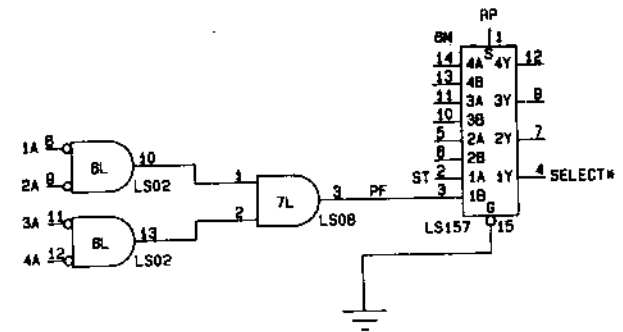
SHEET 20 OF 22	
SOUND	
REVISIONS	
PART NO	M051-00A-29-C010

DIM. TOLERANCES UNLESS OTHERWISE SPEC. CONCENTRICITY T.J.R. .002 FRACTIONAL ± 1/64 DECIMAL ± .005 HOLE Ø/A +.002 - .000 ANGLE ± 1/2° DO NOT SCALE DWG.	FIRST USED ON JR. PACMAN DRN 700 DATE 12/08/83 SCALE FULL
	MECH. CHR. _____ DATE _____ ELEC. CHR. _____ FINISH _____

Bally/MIDWAY MFG. CO.
 FRANKLIN PARK, IL 60131
JR. PACMAN (CONVERSION)
 LOGIC P.C.
 A080-91688-CA29



NOTE: 3M AND 4M MUST BE S157



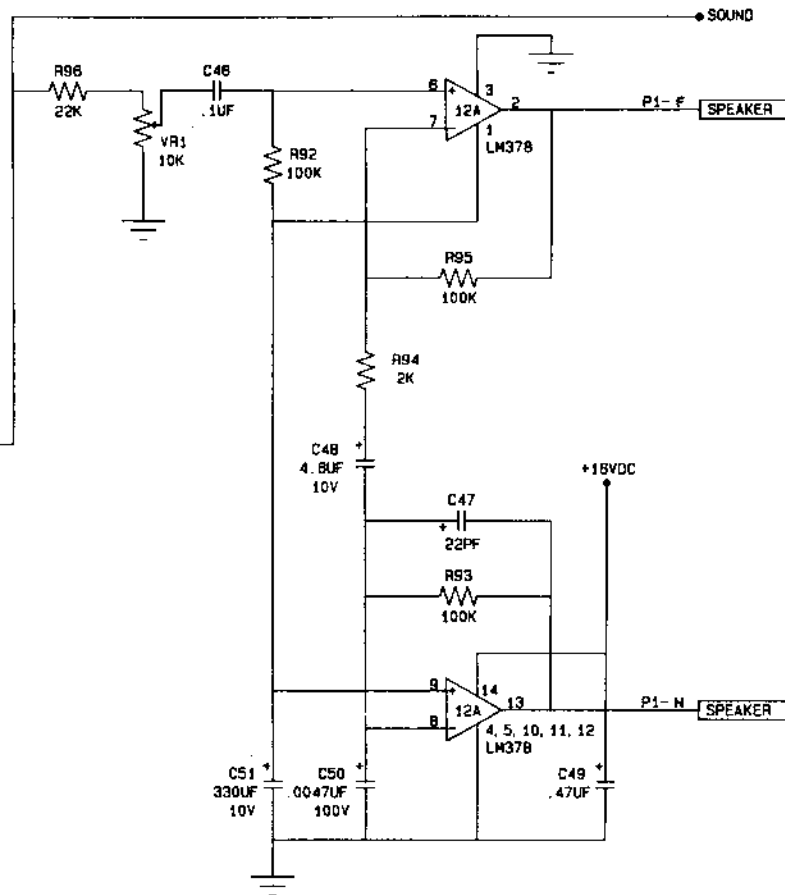
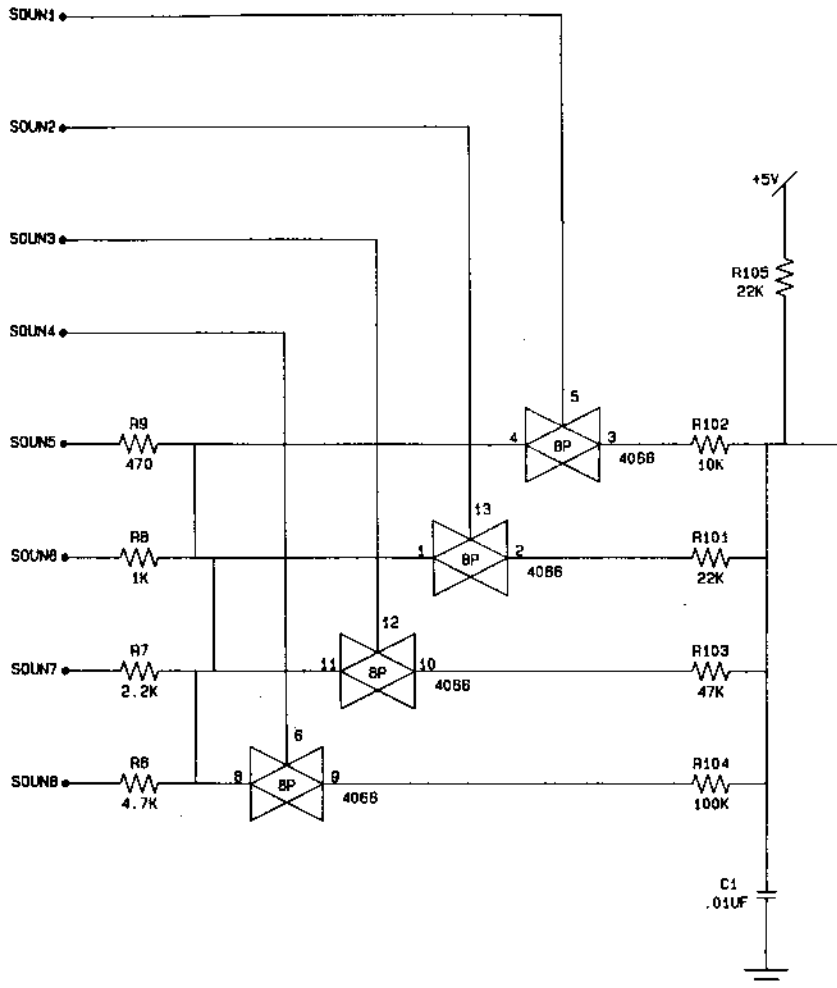
THIS DWG IS CONFIDENTIAL & PROPERTY OF BALLY/MIDWAY MFG CO

SHEET 21 OF 22

DIM TOLERANCES UNLESS OTHERWISE SPEC. FRACTIONAL ± 1/64 DECIMAL ± .005 HOLE DIA ± .002 - .000 ANGLE ± 1/2° DO NOT SCALE DWG.	FIRST USED ON	JR. PACMAN	
	DATE	12/08/83	SCALE FULL
	MECH CHR	DATE	SCALE
	ELEC CHR	FINISH	

Bally/MIDWAY MFG. CO.
 FRANKLIN PARK, IL 60131
JR. PACMAN (CONVERSION)
LOGIC P.C.
A080-91688-CA29

PROMPT / STAMP VIDEO	
REVISIONS	
PART NO	M.O. 5-1-0-0-A-2-9-C-0-1-0



THIS DWG IS CONFIDENTIAL & PROPERTY OF BALLY/MIDWAY MFG CO

SHEET 22 OF 22

DIM. TOLERANCES
 UNLESS OTHERWISE SPEC
 CONCENTRICITY T.I.R. .002
 FRACTIONAL $\pm 1/64$
 DECIMAL $\pm .005$
 HOLE DIA $+ .002 - .000$
 ANGLE $\pm 1/2^\circ$
DO NOT SCALE DWG.

FIRST USED ON	JR. PACMAN		
DRN	100	DATE	12/08/83
MECH CHK		MATL	
ELEC CHK		FINISH	

Bally/MIDWAY mfg. co.
 FRANKLIN PARK, IL 60131
 JR. PACMAN (CONVERSION)
 LOGIC P.C.
 A080-91688-CA29

AUDIO AMPLIFIER	
REVISIONS	
PART NO	M.O-5-1-00-A-2-9-C.O-1-0