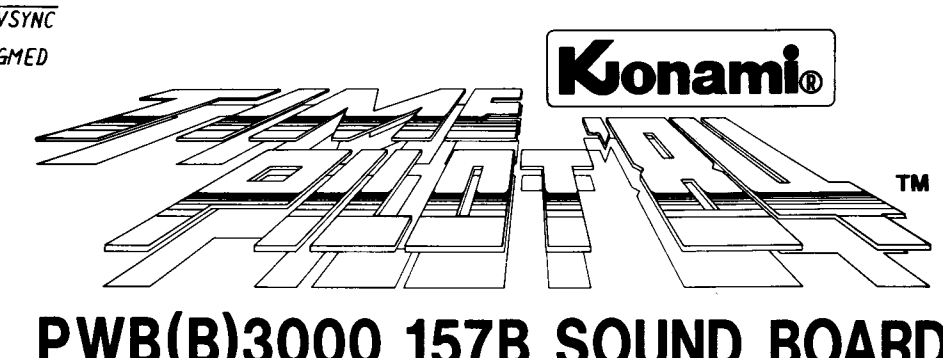
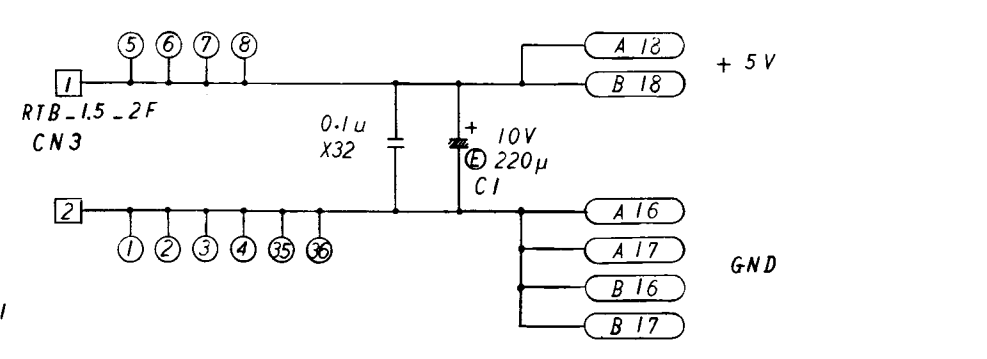
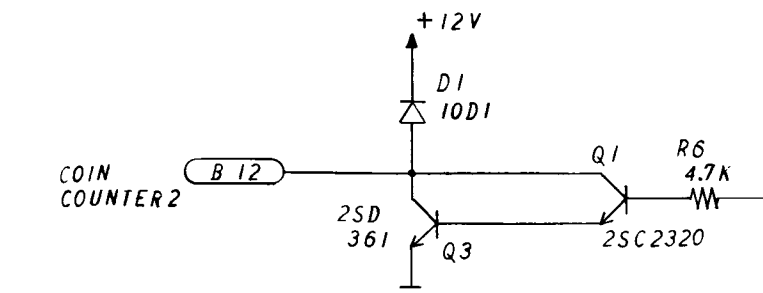
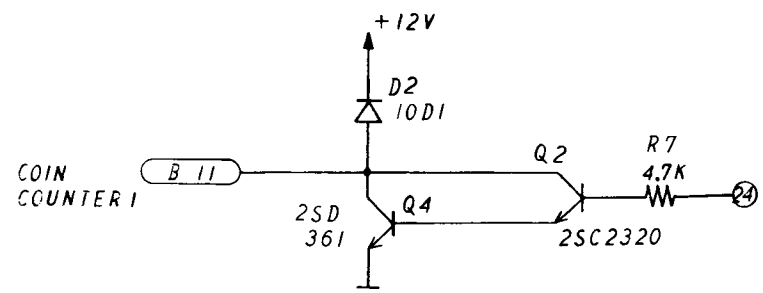
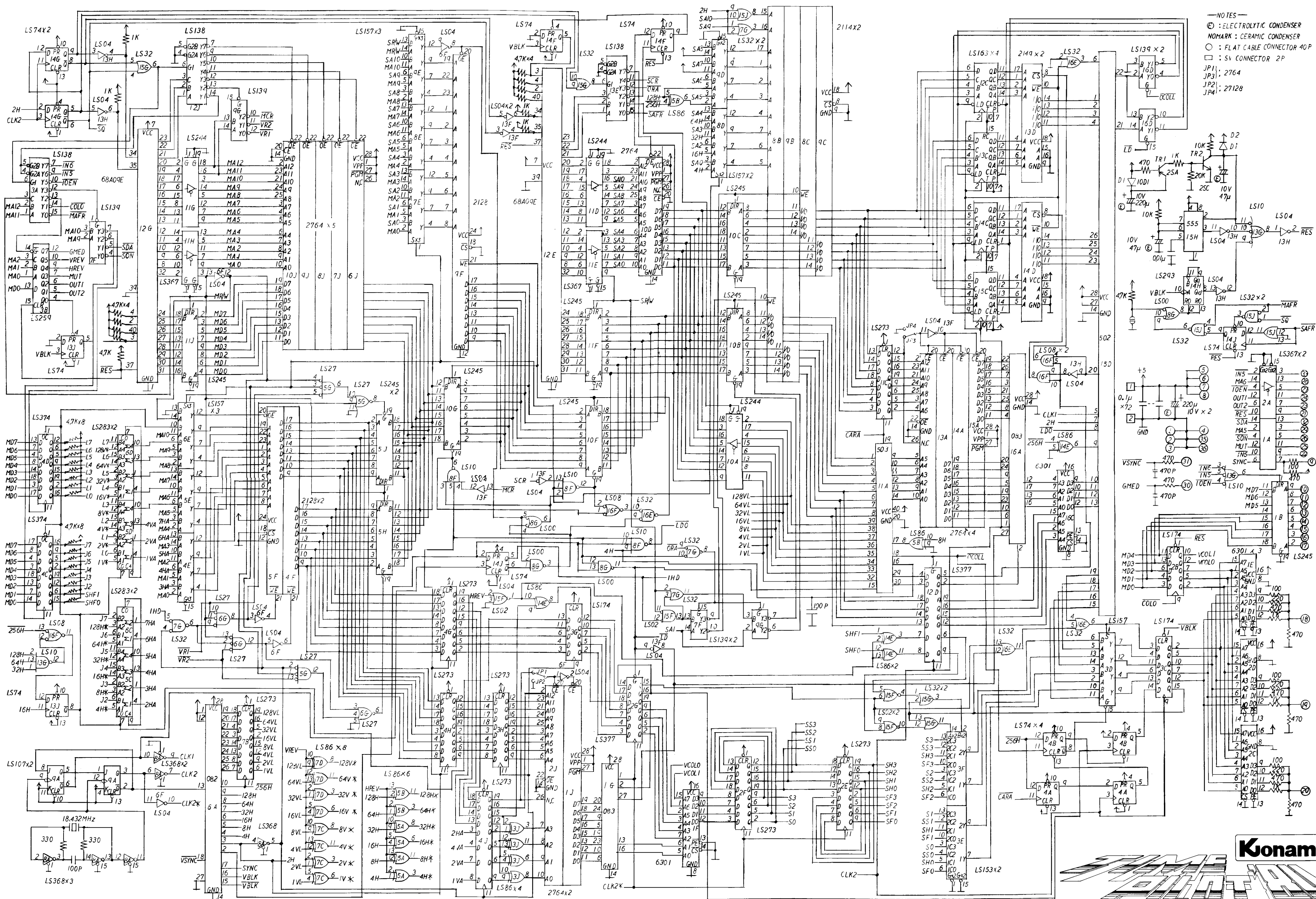
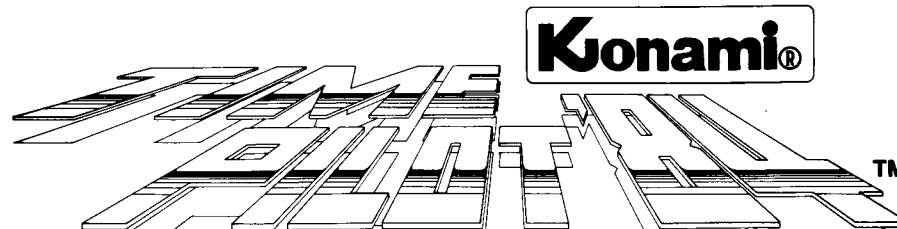


NOTES
 \uparrow ; 5V Vcc
 \downarrow ; 0V GND
 $\text{\textcircled{1}}$; 36PIN CONNECTOR
 B is PARTS SIDE
 $\text{\textcircled{2}}$; 40PIN CONNECTOR
 $\text{\textcircled{3}}$; 2 PIN CONNECTOR
 $\text{\textcircled{4}}$; TANTALUM CONDENSER
 $\text{\textcircled{5}}$; MYLAR CONDENSER
 $\text{\textcircled{6}}$; ELECTROLYTIC CONDENSER
 NO MARK ; CERAMIC CONDENSER
 [] ; NO LAYOUT PARTS





NOTES
 Ⓞ : ELECTROLYTIC CONDENSER
 □ : CERAMIC CONDENSER
 ○ : FLAT CABLE CONNECTOR 40P
 □ : SV CONNECTOR 2P
 JP1 : 2764
 JP2 : 27128
 JP4 :



Konami

PWB(A)2000 112D CRT BOARD